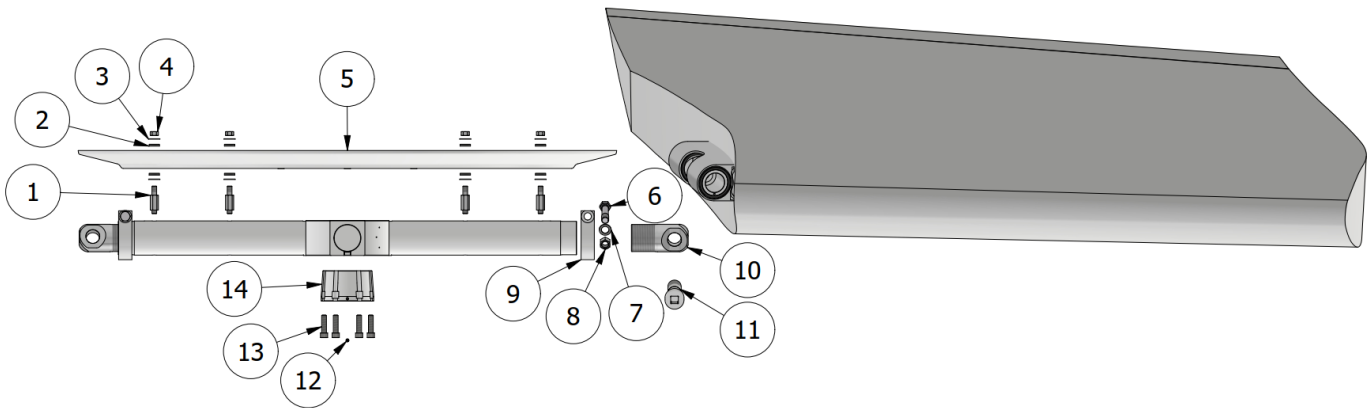




CLASS 10000 MAG RIGHT HAND

PARTS LIST



| ITEM | DESCRIPTION |
|------|------------------------------|
| 1 | AIR SEAL STUDS |
| 2 | RESILIENT WASHER |
| 3 | ALUMINUM FLAT WASHER |
| 4 | 16MM NUT |
| 5 | AIR SEAL |
| 6 | CLAMP BOLT |
| 7 | CLAMP WASHER |
| 8 | CLAMP NUT |
| 9 | ROD END CLAMP |
| 10 | ROD END |
| 11 | BLADE BOLT |
| 12 | BUSHING SET SCREW |
| 13 | M16 X 2P X 60MM BUSHING BOLT |
| 14 | BUSHING |