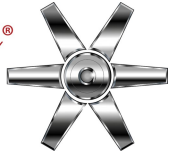
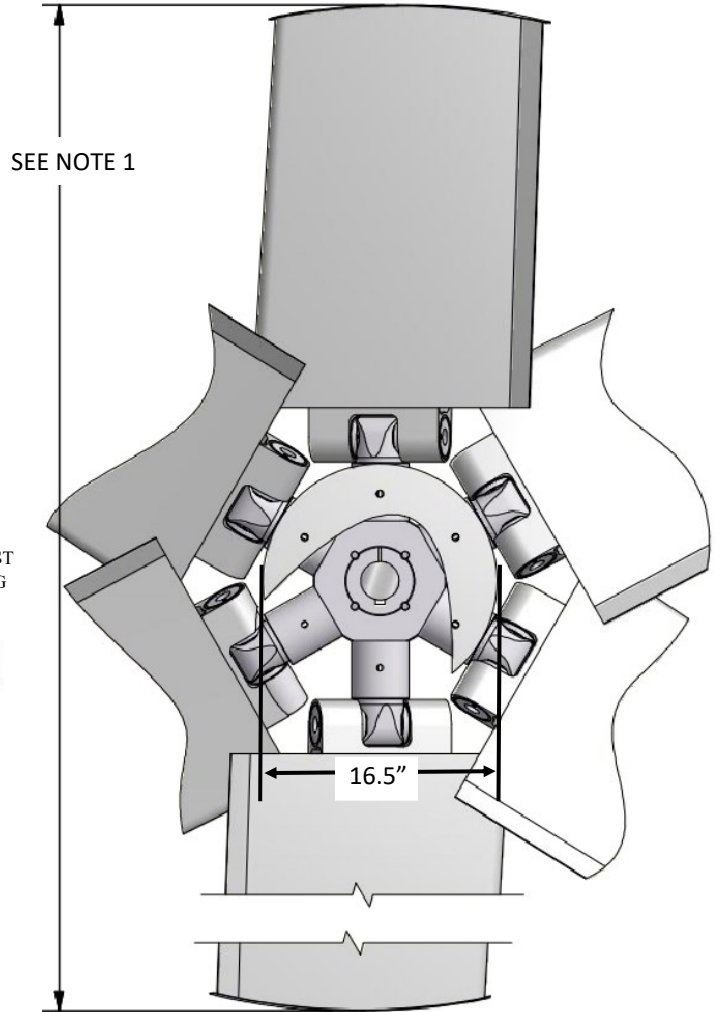
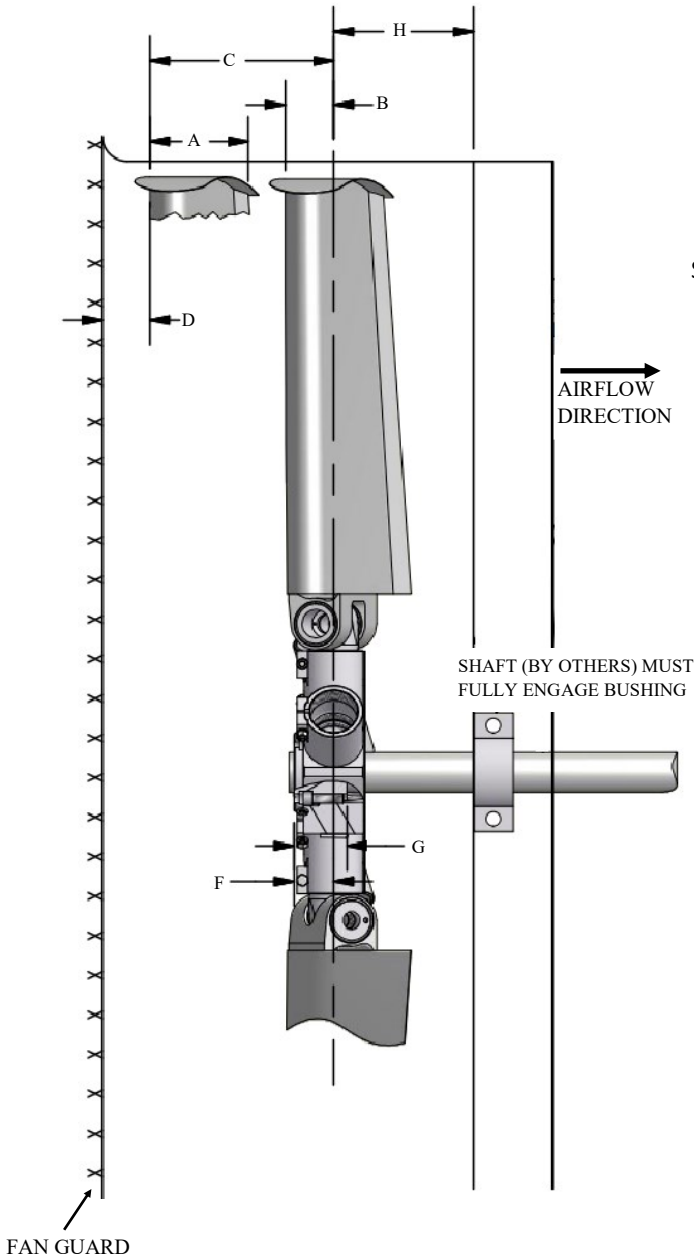


# CLASS 10000 HD SERIES 18 SC

## LH ROTATION



COUNTER-CLOCKWISE ROTATION  
(FAN BLOWING IN OBSERVER'S FACE)  
STANDARD LEFT HAND FAN



- A = BLADE TIP THICKNESS @ 19° BLADE ANGLE
- B = RUNNING POSITION OF BLADES
- C = MAXIMUM DROOP POSITION OF BLADES
- D = MINIMUM OBSTACLE CLEARANCE AT INLET
- F = CENTERLINE OF FAN TO BASE OF BUSHING
- G = BUSHING OVERALL HEIGHT
- H = MINIMUM OBSTACLE CLEARANCE AT OUTLET
- I = NOMINAL MECHANICAL HUB DIAMETER
- L = MAXIMUM BUSHING TORQUE FT. LBS.
- # = WITH S.A.E. STANDARD SQUARE KEYWAY
- \* = WITH SHALLOW KEYWAY IN BUSHING
- o = MAX METRIC BORE WITH STANDARD KEYWAY

NOTE 1:  
MAXIMUM FAN DIAMETER EQUALS NOMINAL FAN DIAMETER. SERIES 18 HAS ADJUSTMENT OF -1/4 INCHES\* POSSIBLE AT INSTALLATION, NO OUTWARD ADJUSTMENT

\*BLADES WITH ATEX TIPS HAVE ADJUSTMENT OF -1.0" & +2.0" ON DIAMETER

MINIMUM ANGLE FOR INSTALLATION IS 7° FOR A 5 BLADE FAN AND 13° FOR A 6 BLADE FAN.

BUSHING CAN BE INSTALLED ON INLET OR OUTLET SIDE OF FAN. AIR SEAL MUST BE OPPOSITE OF BUSHING

WITH FAN OPERATING AT 12000 FT/MINUTE BLADE TIP SPEED

DIA	PERCENT BLADE LOADING				C	D	H
	100%		75%				
	A	B	B	B			
3'	5.2"	1.1"	0.8"	3.1"	2.0"	7.0"	
4'	4.8"	1.4"	1.0"	3.4"	2.0"	7.0"	
5'	4.4"	1.7"	1.3"	3.7"	2.0"	7.0"	
6'	4.0"	2.0"	1.5"	4.0"	2.0"	7.0"	

MAX BLADES	BUSHING TYPE	MAX # BORE	MAX * BORE	MAX o BORE	I	F	G	L
6	U	2.750"	2.938"	75	7"	2.0"	2.7"	4000