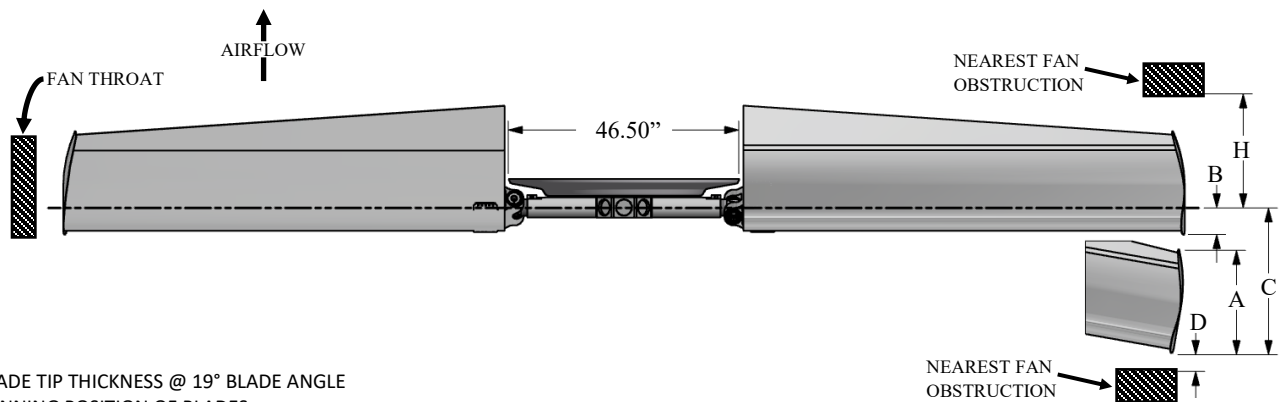
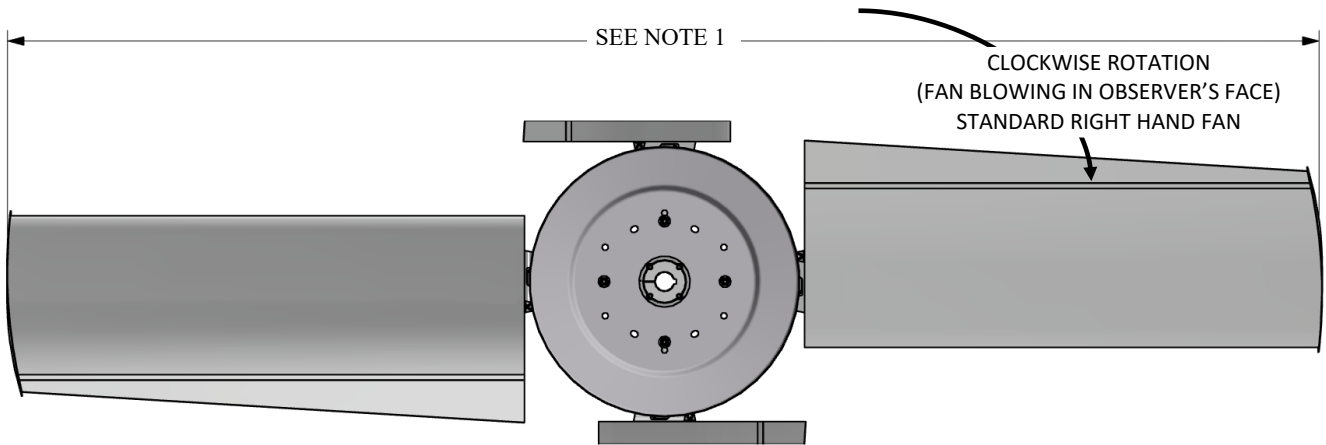
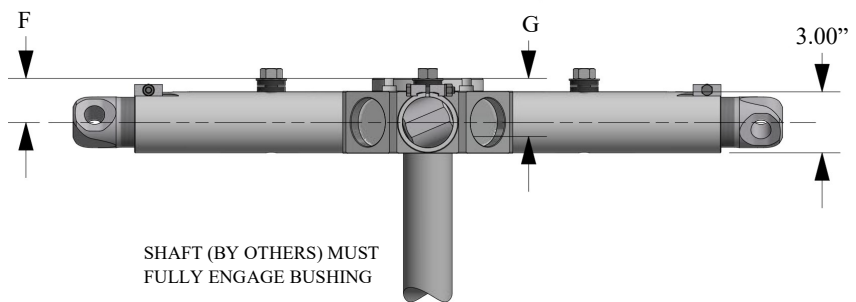


# CLASS 10000 HD SERIES 48 XC

## RH ROTATION



- A = BLADE TIP THICKNESS @ 19° BLADE ANGLE
- B = RUNNING POSITION OF BLADES
- C = MAXIMUM DROOP POSITION OF BLADES
- D = MINIMUM OBSTACLE CLEARANCE AT INLET
- F = CENTERLINE OF FAN TO BASE OF BUSHING
- G = BUSHING OVERALL HEIGHT
- H = MINIMUM OBSTACLE CLEARANCE AT OUTLET
- I = NOMINAL MECHANICAL HUB DIAMETER
- L = MAXIMUM BUSHING TORQUE FT. LBS.
- # = WITH S.A.E. STANDARD SQUARE KEYWAY
- \* = WITH SHALLOW KEYWAY IN BUSHING
- o = MAX METRIC BORE WITH STANDARD KEYWAY



BUSHING AND/OR AIR SEAL  
CAN BE INSTALLED ON INLET  
OR OUTLET SIDE OF FAN

**WITH FAN OPERATING AT  
12000 FT/MINUTE BLADE TIP SPEED**

DIA	PERCENT BLADE LOADING		C	D	H	
	100%	75%				
	B					
9'	14.9"	11.0"	10.5"	12.0"	4.0"	16"
10'	14.2"	11.5"	10.8"	12.9"	4.0"	16"
11'	13.5"	12.1"	11.2"	13.9"	4.0"	16"
12'	12.9"	12.8"	11.6"	15.2"	4.0"	16"
13'	12.2"	13.7"	12.2"	16.6"	4.0"	16"
14'	11.5"	14.7"	12.9"	18.3"	4.0"	16"
15'	10.8"	15.6"	13.4"	19.8"	4.0"	16"

NOTE 1:  
MAXIMUM FAN DIAMETER EQUALS NOMINAL FAN DIAMETER.  
ADJUSTMENT OF ±1.5 INCHES\* POSSIBLE AT INSTALLATION  
\*BLADES WITH ATEX TIPS HAVE ADJUSTMENT OF -1.0" & +2.0"  
ON DIAMETER

MAX BLADES	BUSHING TYPE	MAX # BORE	MAX * BORE	MAX o BORE	F	G	L
10	U	2.750"	2.938"	75	2.0"	2.7"	4000
10	W	3.750"	4.000"	100	2.2"	2.8"	7300