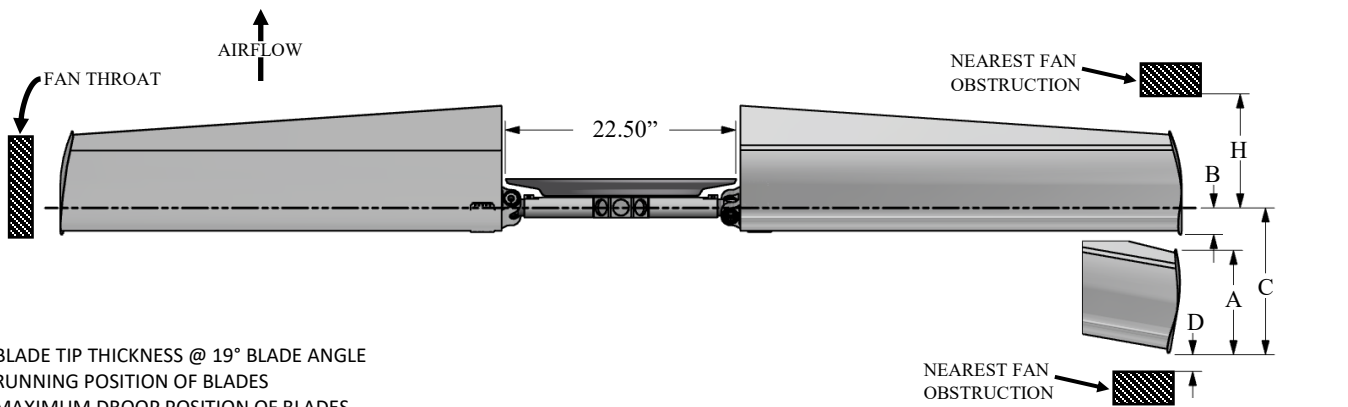
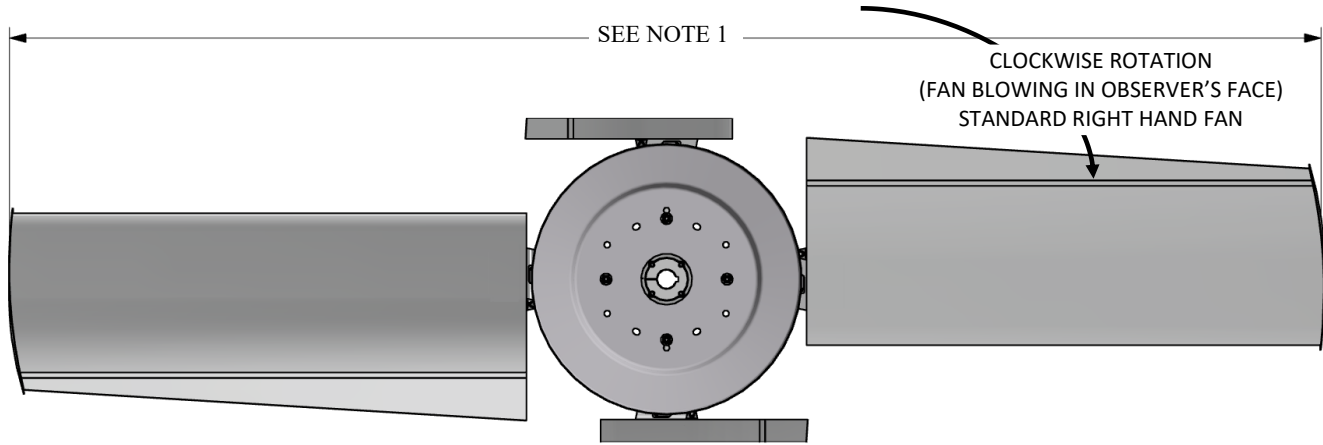
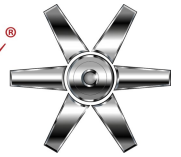


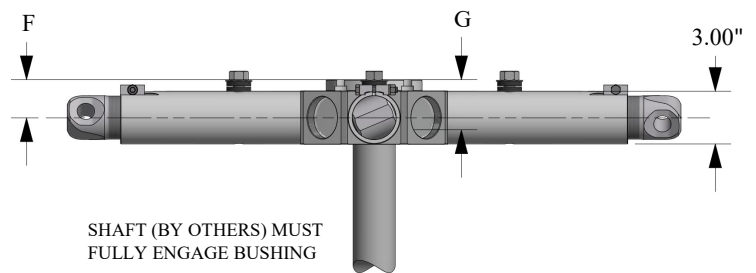
# CLASS 10000 HD SERIES 24 XC

RH ROTATION

**Moore**  
FANS



- A = BLADE TIP THICKNESS @ 19° BLADE ANGLE
  - B = RUNNING POSITION OF BLADES
  - C = MAXIMUM DROOP POSITION OF BLADES
  - D = MINIMUM OBSTACLE CLEARANCE AT INLET
  - F = CENTERLINE OF FAN TO BASE OF BUSHING
  - G = BUSHING OVERALL HEIGHT
  - H = MINIMUM OBSTACLE CLEARANCE AT OUTLET
  - I = NOMINAL MECHANICAL HUB DIAMETER
  - L = MAXIMUM BUSHING TORQUE FT. LBS.
  - # = WITH S.A.E. STANDARD SQUARE KEYWAY
  - \* = WITH SHALLOW KEYWAY IN BUSHING
  - o = MAX METRIC BORE WITH STANDARD KEYWAY
- BUSHING AND/OR AIR SEAL  
CAN BE INSTALLED ON INLET  
OR OUTLET SIDE OF FAN



SHAFT (BY OTHERS) MUST FULLY ENGAGE BUSHING

**WITH FAN OPERATING AT  
12000 FT/MINUTE BLADE TIP SPEED**

DIA	PERCENT BLADE LOADING		C	D	H
	100%	75%			
	A	B			
7'	14.9"	10.7"	11.5"	4.0"	16"
8'	14.2"	11.1"	12.2"	4.0"	16"
9'	13.5"	11.6"	13.1"	4.0"	16"
10'	12.9"	12.2"	14.2"	4.0"	16"
11'	12.2"	12.9"	15.5"	4.0"	16"
12'	11.5"	13.8"	17.0"	4.0"	16"
13'	10.8"	14.6"	18.4"	4.0"	16"

NOTE 1:  
MAXIMUM FAN DIAMETER EQUALS NOMINAL FAN DIAMETER.  
ADJUSTMENT OF ±1.5 INCHES\* POSSIBLE AT INSTALLATION  
\*BLADES WITH ATEX TIPS HAVE ADJUSTMENT OF -1.0" & +2.0" ON DIAMETER

MAX BLADES	BUSHING TYPE	MAX # BORE	MAX * BORE	MAX o BORE	F	G	L
6	U	2.750"	2.983"	75	2.0"	2.7"	4000
6	W	3.750"	4.000"	100	2.2"	2.8"	7300