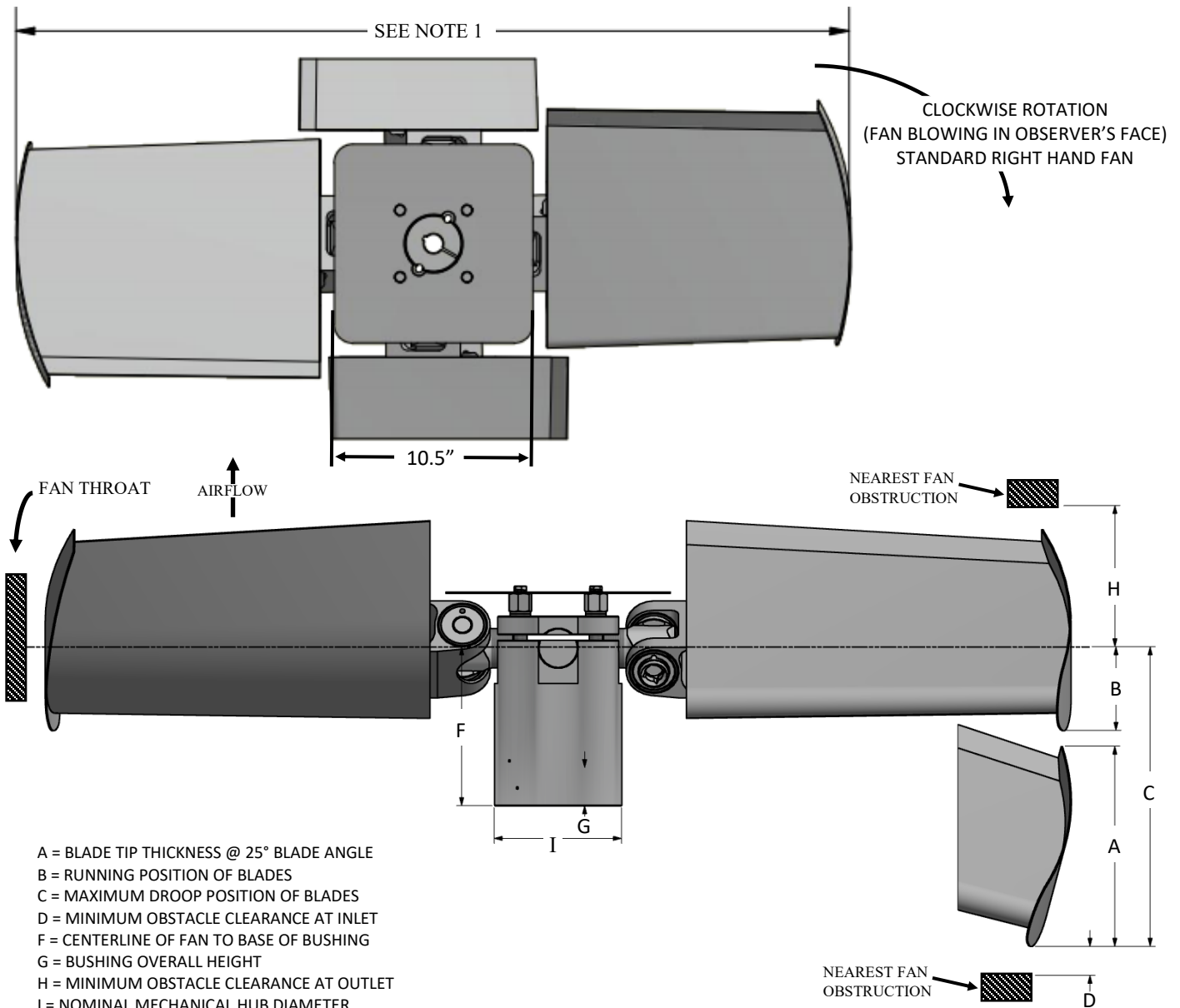
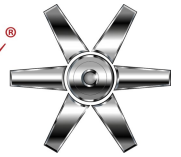


CLASS 10000 HD SERIES 12 SC

EXTENDED HUB, RH ROTATION

Moore
FANS



- A = BLADE TIP THICKNESS @ 25° BLADE ANGLE
- B = RUNNING POSITION OF BLADES
- C = MAXIMUM DROOP POSITION OF BLADES
- D = MINIMUM OBSTACLE CLEARANCE AT INLET
- F = CENTERLINE OF FAN TO BASE OF BUSHING
- G = BUSHING OVERALL HEIGHT
- H = MINIMUM OBSTACLE CLEARANCE AT OUTLET
- I = NOMINAL MECHANICAL HUB DIAMETER
- L = MAXIMUM BUSHING TORQUE FT. LBS.
- # = WITH S.A.E. STANDARD SQUARE KEYWAY
- * = WITH SHALLOW KEYWAY IN BUSHING
- o = MAX METRIC BORE WITH STANDARD KEYWAY

NOTE 1:
MAXIMUM FAN DIAMETER EQUALS NOMINAL FAN DIAMETER.
ADJUSTMENT OF -0.25 INCHES POSSIBLE AT INSTALATION.

FANS WITH ATEX TIPS HAVE NO INWARD ADJUSTMENT.

WITH FAN OPERATING AT 12000 FT/MINUTE BLADE TIP SPEED															
							PERCENT BLADE LOADING								
							100%		75%						
DIA	A	B		C	D	H	MAX BLADES	BUSHING TYPE	MAX # BORE	MAX * BORE	MAX o BORE	I	F	G	L
3'	8.6"	3.5"	3.5"	5.5"	2.0"	7.0"	5	T	2.000"	2.188"	55	6"	7.4"	1.9"	2000
4'	8.2"	3.9"	3.9"	5.9"	2.0"	7.0"									
5'	7.8"	4.3"	4.3"	6.3"	2.0"	7.0"									
6'	7.4"	4.8"	4.8"	6.8"	2.0"	7.0"									