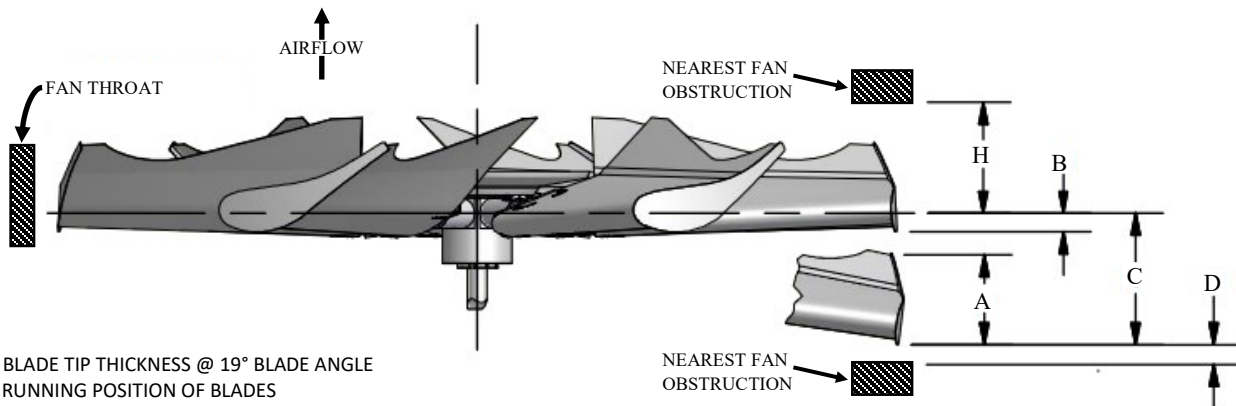
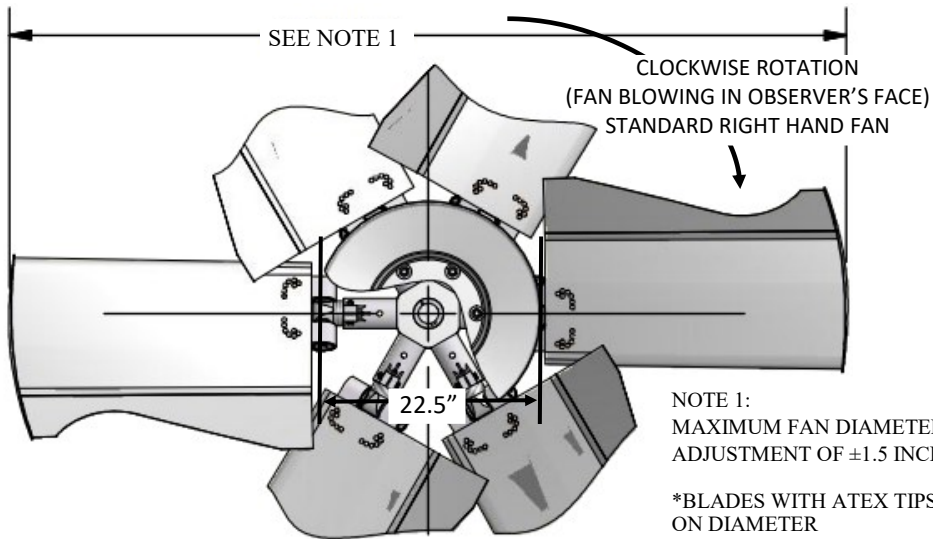
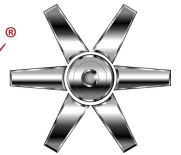


# CLASS 10000 HD SERIES 24 EC

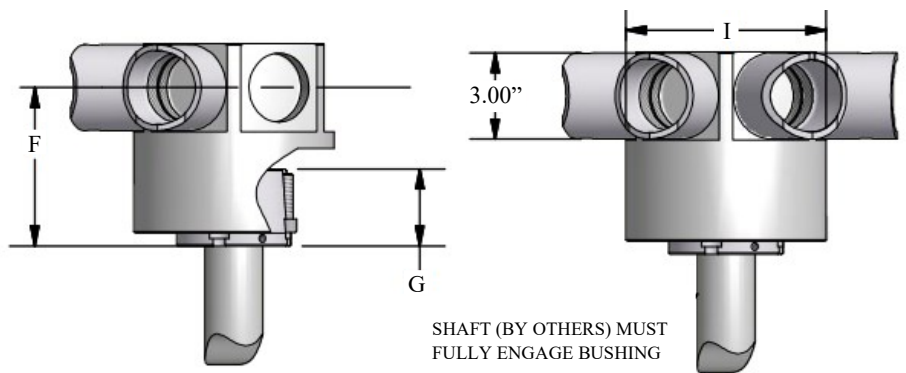
## EXTENDED CHORD, EXTENDED HUB, RH ROTATION

*Moore*  
FANS



- A = BLADE TIP THICKNESS @ 19° BLADE ANGLE
- B = RUNNING POSITION OF BLADES
- C = MAXIMUM DROOP POSITION OF BLADES
- D = MINIMUM OBSTACLE CLEARANCE AT INLET
- F = CENTERLINE OF FAN TO BASE OF BUSHING
- G = BUSHING OVERALL HEIGHT
- H = MINIMUM OBSTACLE CLEARANCE AT OUTLET
- I = NOMINAL MECHANICAL HUB DIAMETER
- L = MAX . BUSHING TORQUE FT. LBS.
- # = WITH S.A.E. STANDARD SQUARE KEYWAY
- \* = WITH SHALLOW KEYWAY IN BUSHING
- o = MAX METRIC BORE WITH STANDARD KEYWAY

BUSHING CAN BE INSTALLED ON  
INLET OR OUTLET SIDE OF FAN



WITH FAN OPERATING AT  
12000 FT/MINUTE BLADE TIP SPEED

DIA	PERCENT BLADE LOADING		C	D	H	
	100%	75%				
	B					
5'	7.5"	4.5"	4.4"	4.8"	2.0"	14.0"
6'	7.5"	4.9"	4.7"	5.5"	2.0"	14.0"
7'	7.5"	5.1"	5.1"	6.4"	2.0"	14.0"
8'	7.5"	5.6"	5.6"	7.5"	2.0"	14.0"

MAX BLADES	BUSHING TYPE	MAX # BORE	MAX * BORE	MAX o BORE	I	F	G	L
6	U	2.750"	2.938"	75	7"	5.5", 8.0"	2.7"	4000
8	U	2.750"	2.938"	75	9"	OR 12"	2.7"	4000