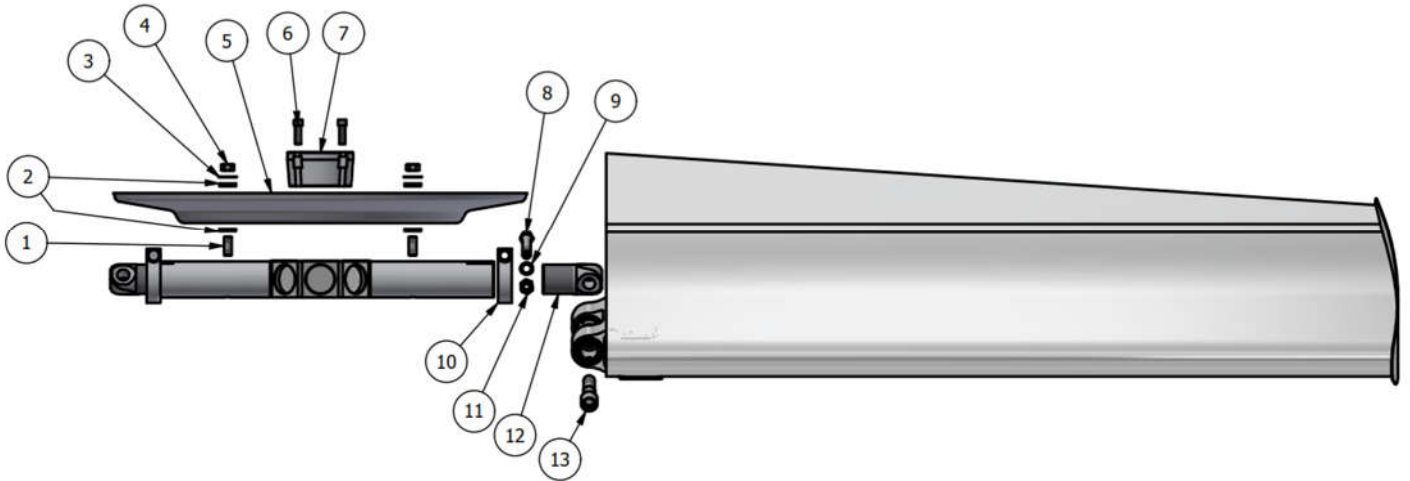




# CLASS 10000 XC

## PARTS LIST



ITEM	PART NUMBER	DESCRIPTION
1	3033	16MM AIRSEAL STUD
2	52	RESILIENT WASHER
3	151	ALUMINUM FLAT WASHER
4	169	M16 ALUMINUM NUT
5		AIR SEAL
6	4153 4154 4159	BUCHING CAP SCREW 12MM HEX FOR U BUSHING(4) 16MM HEX FOR W BUSHING(4) 16MM HEX FOR Z BUSHING(8)
7		BUSHING U(4") W(5.5") Z(7")
8	20139	18 MM CLEVIS CLAMP BOLT
9	8265	SS WASHER (.042" X 1.070" OD X .750" ID)
10	1	CLASS 10,000 CLEVIS CLAMP 3" HD
11	8166	18MM CLEVIS CLAMP NUT
12	2883	CLASS 10,000 HD ROD END
13	2886	BLADE BOLT