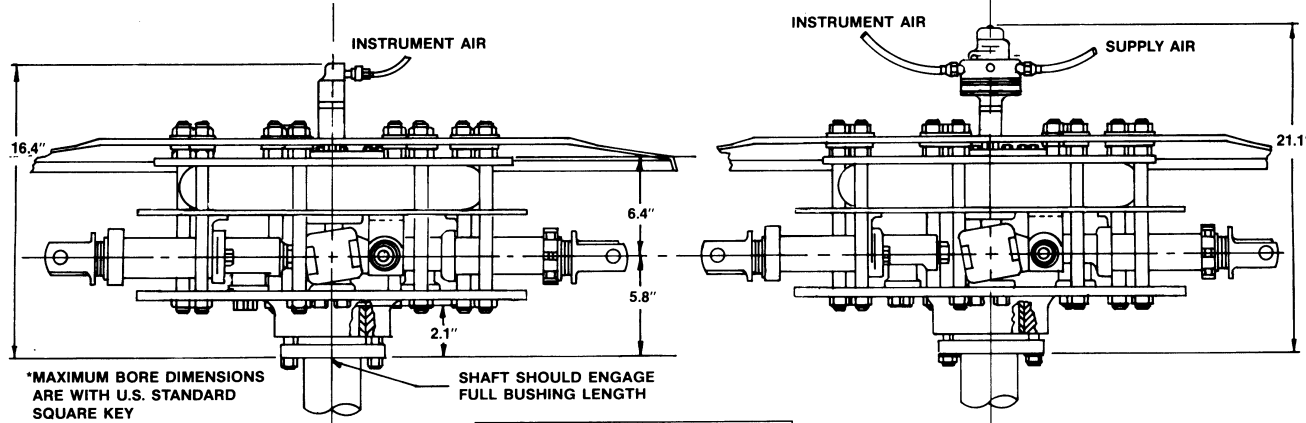
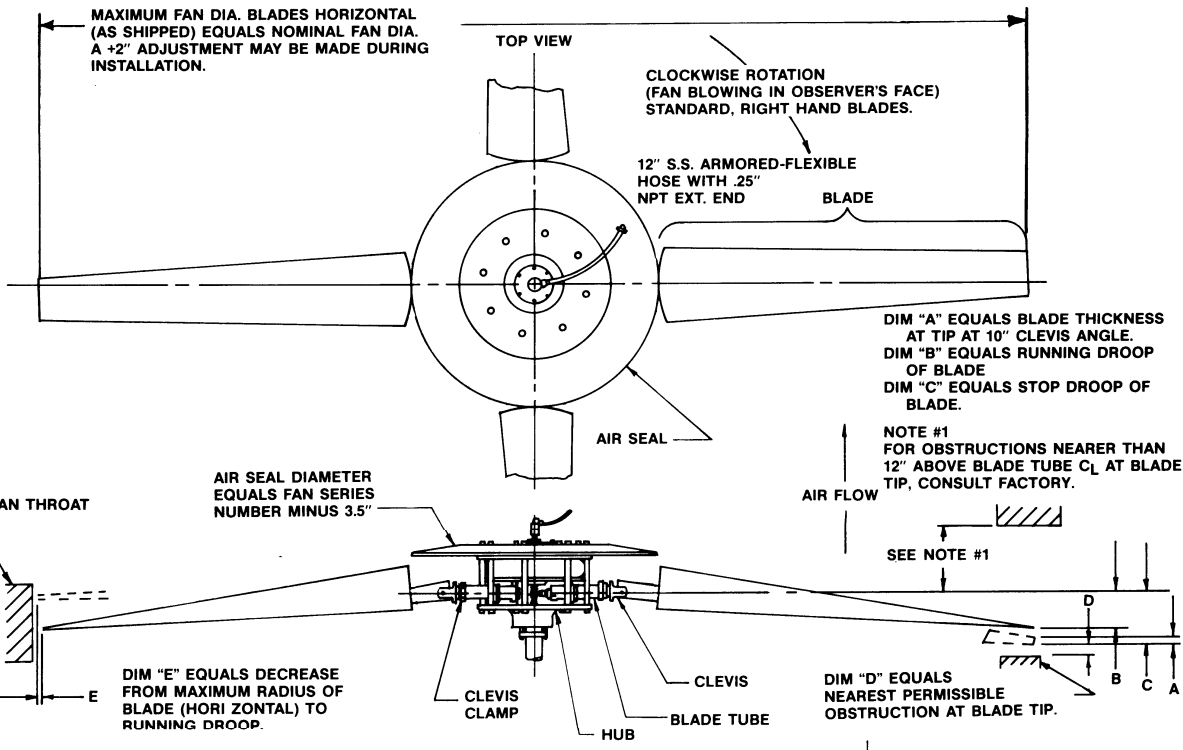


CLASS 5000 SERIES 33 PRESSURE BLOWER



*MAXIMUM BORE DIMENSIONS ARE WITH U.S. STANDARD SQUARE KEY
 **MAXIMUM BORE DIMENSIONS ARE WITH U.S. STANDARD SHALLOW KEYWAY
 5433 CS HUB (STANDARD)

BUSHING TYPE	MAX* BUSHING BORE	MAX** BORE
QDSF	2.313"	2.688" (60mm)

5433 CSP HUB ALTERNATE- WHEN POSITIONER REQUIRED
 All Lettered Dimensions Will Vary With Blade Angle and Loading

Maximum Number of Blades - 5

NOTES	FAN DIA.	DIM A AT 10°	DIM B FAN OPERATING AT TIP SPEED AND BLADE LOAD SHOWN		DIM C	DIM D	DIM E
			12000 ft./min.	12000 ft./min.			
			100%	75%			
	5'	5.2"	1.9"	1.7"	3.2"	1.0"	.07"
	6'	4.4"	2.2"	1.9"	3.9"	1.2"	.09"
	7'	4.0"	2.7"	2.3"	4.5"	1.4"	.11"
	8'	3.2"	3.2"	2.6"	5.2"	1.6"	.14"
	9'	2.5"	3.8"	3.0"	5.8"	1.8"	.17"
	10'	2.1"	4.4"	3.5"	6.5"	2.0"	.20"
	11'	1.9"	5.1"	4.1"	7.2"	2.2"	.24"
	12'	1.7"	6.0"	4.7"	7.9"	2.4"	.30"

SERIES 33 PRESSURE BLOWER



**ARRANGEMENTS CS and CSP
 AUTOMATIC**

CLASS 5000