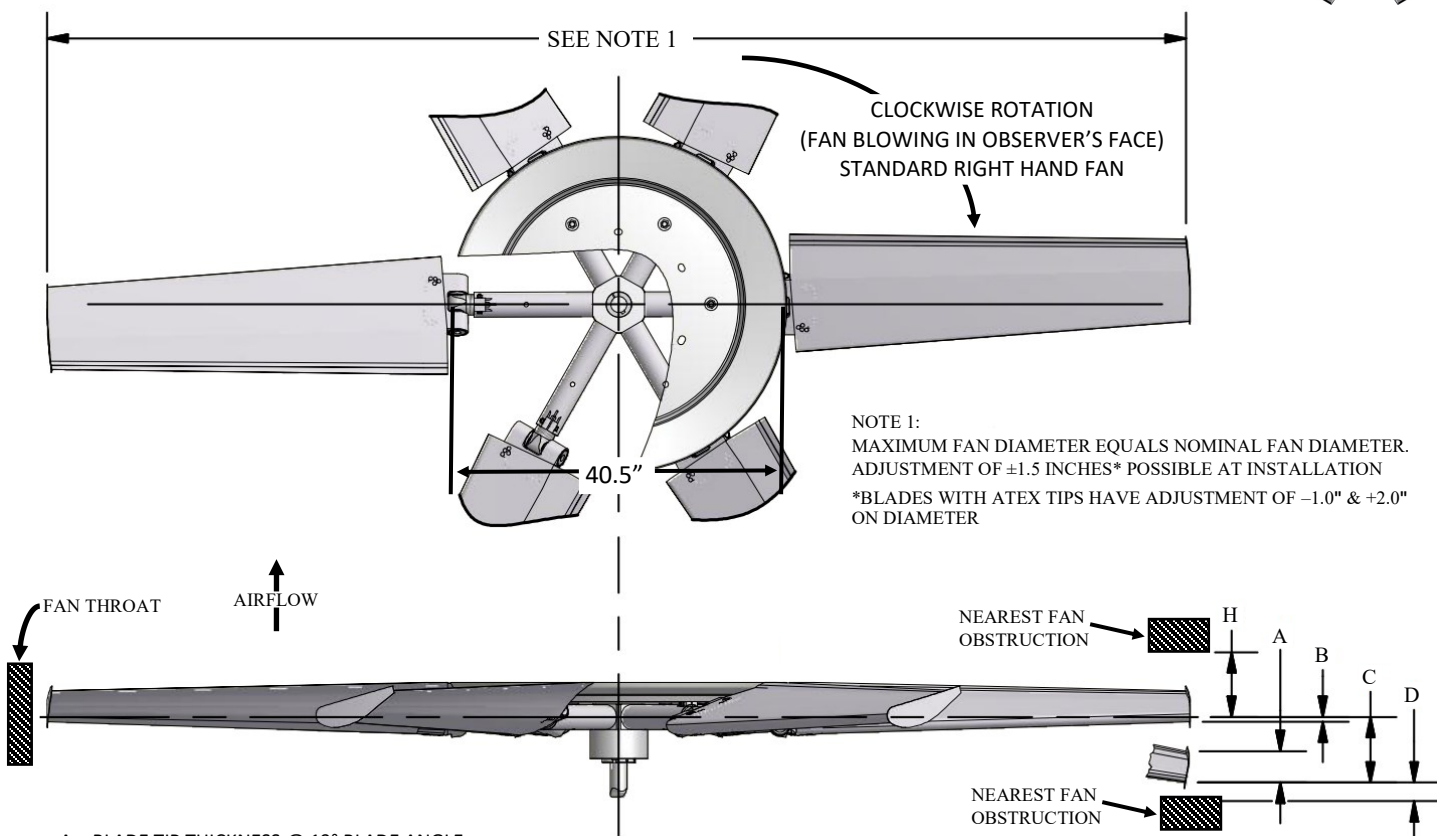


# CLASS 10000 HD SERIES 42 SC

## EXTENDED HUB, RH ROTATION

**Moore**  
FANS

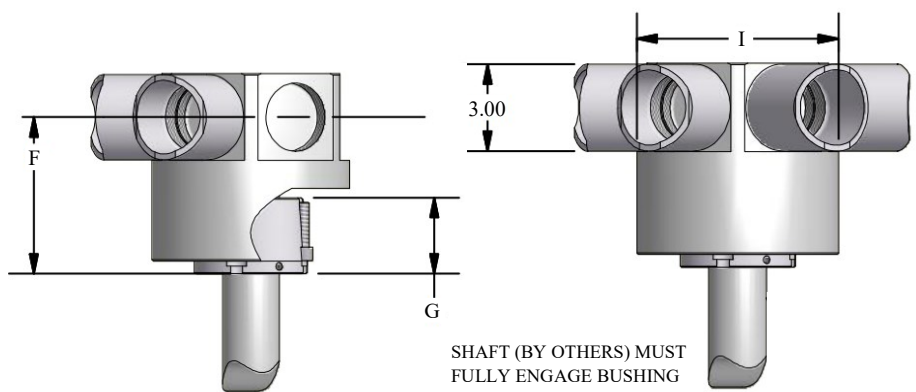


CLOCKWISE ROTATION  
(FAN BLOWING IN OBSERVER'S FACE)  
STANDARD RIGHT HAND FAN

NOTE 1:  
MAXIMUM FAN DIAMETER EQUALS NOMINAL FAN DIAMETER.  
ADJUSTMENT OF ±1.5 INCHES\* POSSIBLE AT INSTALLATION  
\*BLADES WITH ATEX TIPS HAVE ADJUSTMENT OF -1.0" & +2.0"  
ON DIAMETER

- A = BLADE TIP THICKNESS @ 19° BLADE ANGLE
- B = RUNNING POSITION OF BLADES
- C = MAXIMUM DROOP POSITION OF BLADES
- D = MINIMUM OBSTACLE CLEARANCE AT INLET
- F = CENTERLINE OF FAN TO BASE OF BUSHING
- G = BUSHING OVERALL HEIGHT
- H = MINIMUM OBSTACLE CLEARANCE AT OUTLET
- I = NOMINAL MECHANICAL HUB DIAMETER
- L = MAXIMUM BUSHING TORQUE FT. LBS.
- # = WITH S.A.E. STANDARD SQUARE KEYWAY
- \*= WITH SHALLOW KEYWAY IN BUSHING
- o = MAX METRIC BORE WITH STANDARD KEYWAY

BUSHING CAN BE INSTALLED ON  
INLET OR OUTLET SIDE OF FAN



WITH FAN OPERATING AT  
12000 FT/MINUTE BLADE TIP SPEED

DIA	PERCENT BLADE LOADING					
	B		C	D	H	
	100%	75%				
7'	4.4"	1.7"	1.5"	3.7"	2.0"	7.0"
8'	4.0"	2.2"	1.8"	4.2"	2.0"	7.0"
9'	3.6"	2.7"	2.2"	4.7"	2.0"	7.0"
10'	3.2"	3.3"	2.6"	5.3"	2.0"	7.0"
11'	2.8"	4.0"	3.1"	6.0"	2.0"	7.0"
12'	2.4"	4.8"	3.7"	6.8"	2.0"	7.0"
13'	2.0"	5.7"	4.3"	7.7"	2.0"	7.0"
14'	1.7"	6.7"	5.1"	8.7"	2.0"	7.0"

MAX BLADES	BUSHING TYPE	MAX # BORE	MAX * BORE	MAX o BORE	I	F	G	L
6	U	2.750"	2.938"	75	7"	5.5", 8.0", 12"	2.7"	4000
8	U	2.750"	2.938"	75	9"		2.7"	4000
8	W	3.750"	4.000"	100	9"	5.5", 8.0", 12", 16", 20", 24"	2.8"	7300
10	U	2.750"	2.938"	75	12"		2.7"	4000
10	W	3.750"	4.000"	100	12"		2.8"	7300
10	Z	5.000"	5.500"	140	12"		4.0"	18000