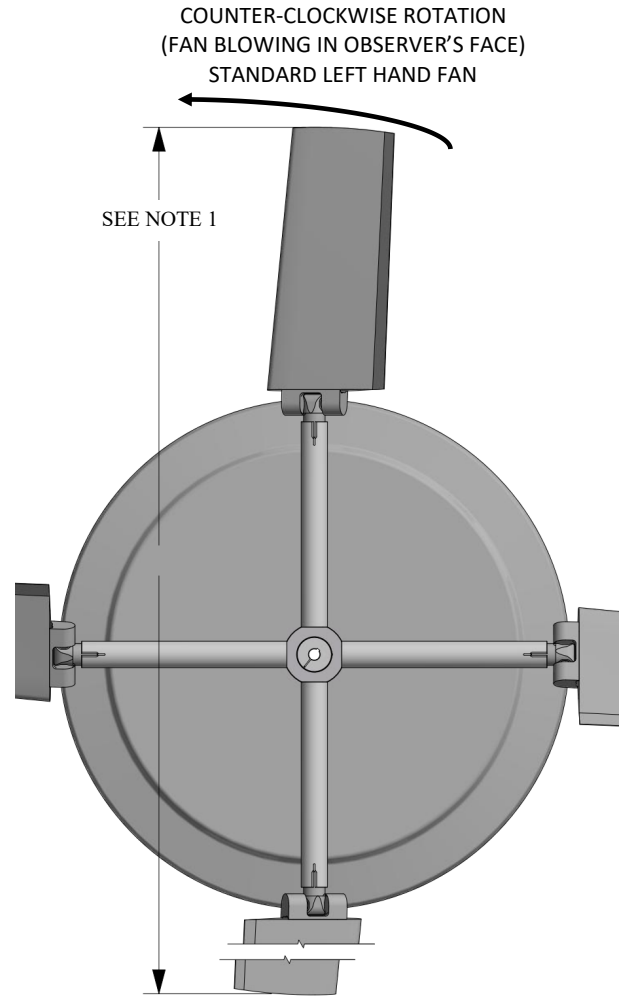
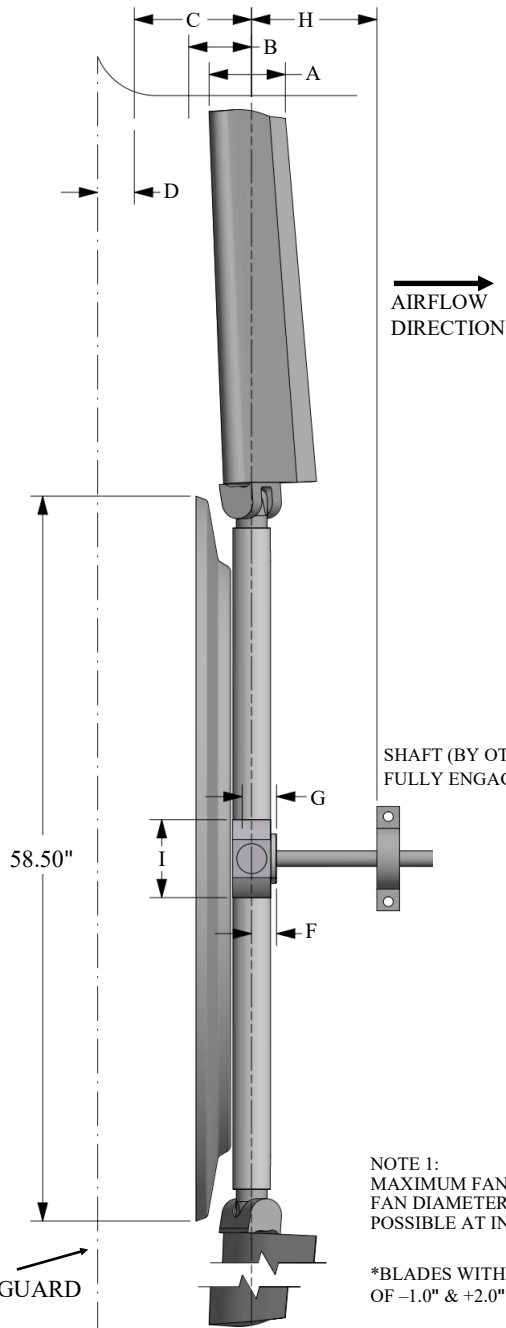
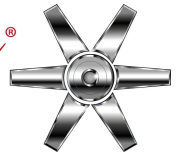


# CLASS 10000 HD SERIES 60 SC

## LH ROTATION



COUNTER-CLOCKWISE ROTATION  
(FAN BLOWING IN OBSERVER'S FACE)  
STANDARD LEFT HAND FAN

AIRFLOW  
DIRECTION

SHAFT (BY OTHERS) MUST  
FULLY ENGAGE BUSHING

NOTE 1:  
MAXIMUM FAN DIAMETER EQUALS NOMINAL  
FAN DIAMETER. ADJUSTMENT OF ±1.5 INCHES\*  
POSSIBLE AT INSTALLATION

\*BLADES WITH ATEX TIPS HAVE ADJUSTMENT  
OF -1.0" & +2.0" ON DIAMETER

- A = BLADE TIP THICKNESS @ 19° BLADE ANGLE
- B = RUNNING POSITION OF BLADES
- C = MAXIMUM DROOP POSITION OF BLADES
- D = MINIMUM OBSTACLE CLEARANCE AT INLET
- F = CENTERLINE OF FAN TO BASE OF BUSHING
- G = BUSHING OVERALL HEIGHT
- H = MINIMUM OBSTACLE CLEARANCE AT OUTLET
- I = NOMINAL MECHANICAL HUB DIAMETER
- L = MAXIMUM BUSHING TORQUE FT. LBS.
- # = WITH S.A.E. STANDARD SQUARE KEYWAY
- \* = WITH SHALLOW KEYWAY IN BUSHING
- o = MAX METRIC BORE WITH STANDARD KEYWAY

BUSHING AND/OR AIR SEAL  
CAN BE INSTALLED ON INLET  
OR OUTLET SIDE OF FAN

WITH FAN OPERATING AT  
12000 FT/MINUTE BLADE TIP SPEED

PERCENT BLADE  
LOADING

	100%	75%
--	------	-----

DIA	A	B		C	D	H
10'	2.3"	2.5"	2.1"	3.2"	2.0"	7.0"
11'	2.2"	3.4"	2.8"	4.5"	2.0"	7.0"
12'	2.1"	4.3"	3.5"	5.8"	2.0"	7.0"
13'	1.9"	5.1"	4.1"	7.1"	2.0"	7.0"
14'	1.8"	6.0"	4.8"	8.5"	2.0"	7.0"
15'	1.7"	6.9"	5.5"	9.8"	2.0"	7.0"
16'	1.5"	7.7"	6.1"	11.1"	2.0"	7.0"

MAX BLADES	BUSHING TYPE	MAX # BORE	MAX * BORE	MAX o BORE	I	F	G	L
6	U	2.750"	2.938"	75	7"	2.0"	2.7"	4000
8	U	2.750"	2.938"	75	9"	2.0"	2.7"	4000
12	U	2.750"	2.938"	75	12"	2.0"	2.7"	4000
8	W	3.750"	4.000"	100	9"	2.2"	2.8"	7300
12	W	3.750"	4.000"	100	12"	2.2"	2.8"	7300
12	Z	5.000"	5.500"	140	12"	2.2"	4.0"	18000