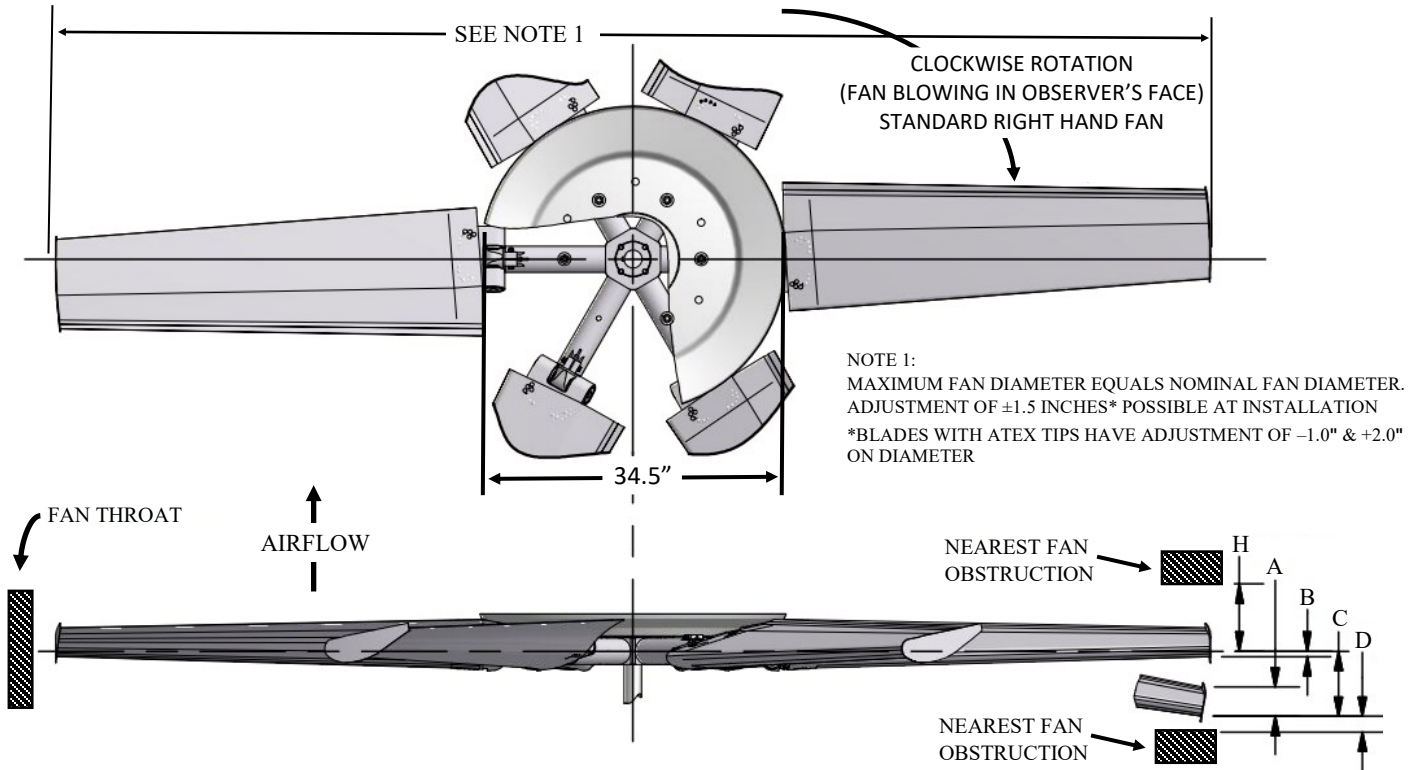


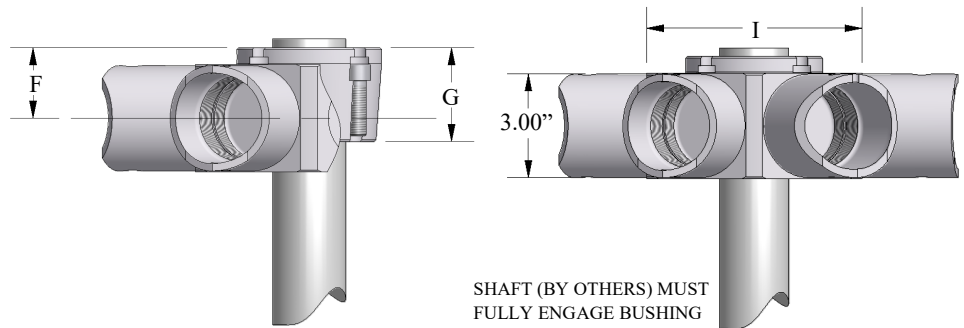
CLASS 10000 HD SERIES 36 SC

STANDARD HUB, RH ROTATION

Moore
FANS



- A = BLADE TIP THICKNESS @ 19° BLADE ANGLE
- B = RUNNING POSITION OF BLADES
- C = MAXIMUM DROOP POSITION OF BLADES
- D = MINIMUM OBSTACLE CLEARANCE AT INLET
- F = CENTERLINE OF FAN TO BASE OF BUSHING
- G = BUSHING OVERALL HEIGHT
- H = MINIMUM OBSTACLE CLEARANCE AT OUTLET
- I = NOMINAL MECHANICAL HUB DIAMETER
- L = MAXIMUM BUSHING TORQUE FT. LBS.
- # = WITH S.A.E. STANDARD SQUARE KEYWAY
- * = WITH SHALLOW KEYWAY IN BUSHING
- o = MAX METRIC BORE WITH STANDARD KEYWAY



BUSHING AND/OR AIR SEAL
CAN BE INSTALLED ON INLET
OR OUTLET SIDE OF FAN

WITH FAN OPERATING AT
12000 FT/MINUTE BLADE TIP SPEED

DIA	PERCENT BLADE LOADING						MAX BLADES	BUSHING TYPE	MAX # BORE	MAX * BORE	MAX o BORE	I	F	G	L							
	100%		75%																			
	A	B	C	D	H																	
6'	4.6"	1.5"	1.3"	3.5"	2.0"	7.0"	6	U	2.750"	2.938"	75	7"	2.0"	2.7"	4000							
7'	4.2"	1.8"	1.5"	3.8"	2.0"	7.0"	8	U	2.750"	2.938"	75	9"	2.0"	2.7"	4000							
8'	3.8"	2.1"	1.8"	4.1"	2.0"	7.0"	9'	3.4"	2.6"	2.1"	4.6"	2.0"	7.0"	8	W	3.750"	4.000"	100	9"	2.2"	2.8"	7300
9'	3.4"	2.6"	2.1"	4.6"	2.0"	7.0"	10'	3.0"	3.1"	2.4"	5.1"	2.0"	7.0"	10	U	2.750"	2.938"	75	12"	2.0"	2.7"	4000
10'	3.0"	3.1"	2.4"	5.1"	2.0"	7.0"	11'	2.6"	3.8"	3.1"	5.8"	2.0"	7.0"	8	W	3.750"	4.000"	100	9"	2.2"	2.8"	7300
11'	2.6"	3.8"	3.1"	5.8"	2.0"	7.0"	12'	2.2"	4.6"	3.6"	6.6"	2.0"	7.0"	10	W	3.750"	4.000"	100	12"	2.2"	2.8"	7300