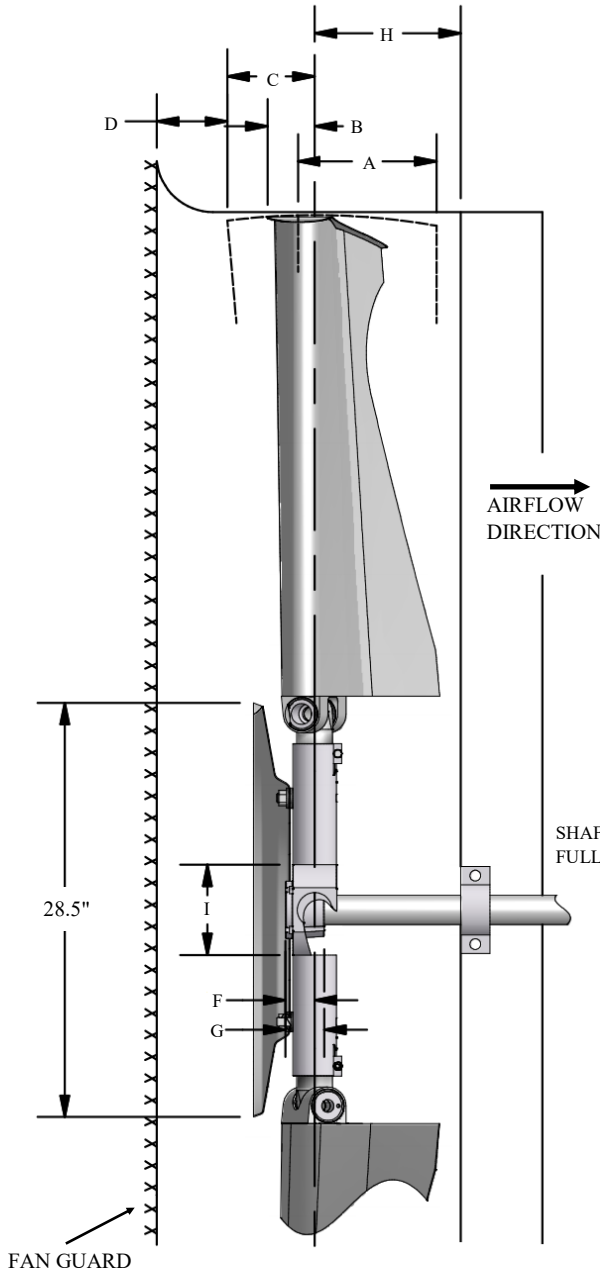


# CLASS 10000 HD SERIES 30 EC

## EXTENDED CHORD, LH ROTATION



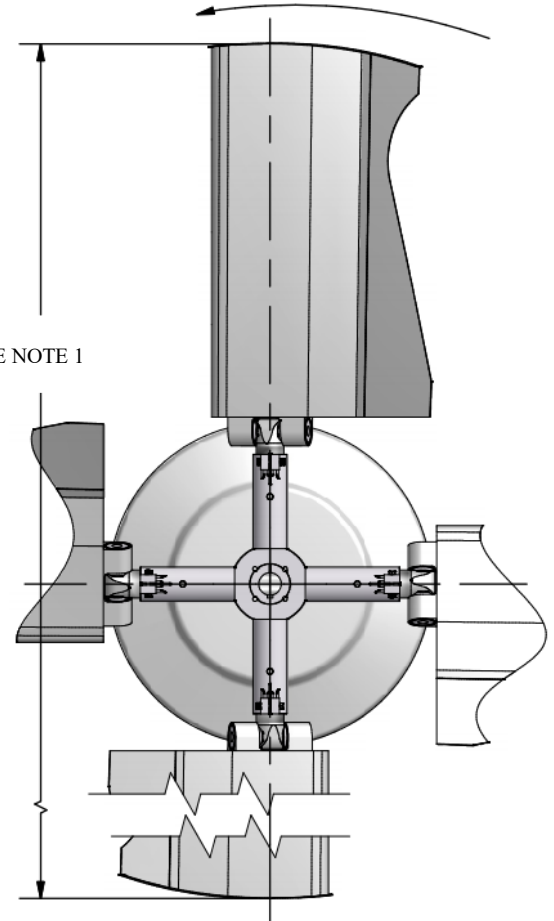
COUNTER-CLOCKWISE ROTATION  
(FAN BLOWING IN OBSERVER'S FACE)  
STANDARD LEFT HAND FAN



AIRFLOW  
DIRECTION

SHAFT (BY OTHERS) MUST  
FULLY ENGAGE BUSHING

SEE NOTE 1



- A = BLADE TIP THICKNESS @ 19° BLADE ANGLE
- B = RUNNING POSITION OF BLADES
- C = MAXIMUM DROOP POSITION OF BLADES
- D = MINIMUM OBSTACLE CLEARANCE AT INLET
- F = CENTERLINE OF FAN TO BASE OF BUSHING
- G = BUSHING OVERALL HEIGHT
- H = MINIMUM OBSTACLE CLEARANCE AT OUTLET
- I = NOMINAL MECHANICAL HUB DIAMETER
- L = MAXIMUM BUSHING TORQUE FT. LBS.
- # = WITH S.A.E. STANDARD SQUARE KEYWAY
- \* = WITH SHALLOW KEYWAY IN BUSHING
- ◊ = MAX METRIC BORE WITH STANDARD KEYWAY

NOTE 1:  
MAXIMUM FAN DIAMETER EQUALS NOMINAL  
FAN DIAMETER. ADJUSTMENT OF ±1.5 INCHES\*  
POSSIBLE AT INSTALLATION

\*BLADES WITH ATEX TIPS HAVE ADJUSTMENT  
OF -1.0" & +2.0" ON DIAMETER

BUSHING AND/OR AIR SEAL  
CAN BE INSTALLED ON INLET  
OR OUTLET SIDE OF FAN

WITH FAN OPERATING AT  
12000 FT/MINUTE BLADE TIP SPEED

DIA	PERCENT BLADE LOADING						
	100%		75%		C	D	H
	A	B	A	B			
5'	7.5"	4.3"	4.3"	4.6"	2.0"	14.0"	
6'	7.5"	4.7"	4.5"	5.2"	2.0"	14.0"	
7'	7.5"	5.2"	4.9"	6.0"	2.0"	14.0"	
8'	7.5"	5.9"	5.4"	7.0"	2.0"	14.0"	
9'	7.5"	6.7"	6.0"	8.3"	2.0"	14.0"	
10'	7.5"	7.6"	6.8"	9.8"	2.0"	14.0"	

MAX BLADES	BUSHING TYPE	MAX # BORE	MAX * BORE	MAX O BORE	I	F	G	L
6	U	2.750"	2.938"	75	7"	2.0"	2.7"	4000
8	U	2.750"	2.938"	75	9"	2.0"	2.7"	4000
10	U	2.750"	2.938"	75	12"	2.0"	2.7"	4000
8	W	3.750"	4.000"	100	9"	2.2"	2.8"	7300
10	W	3.750"	4.000"	100	12"	2.2"	2.8"	7300