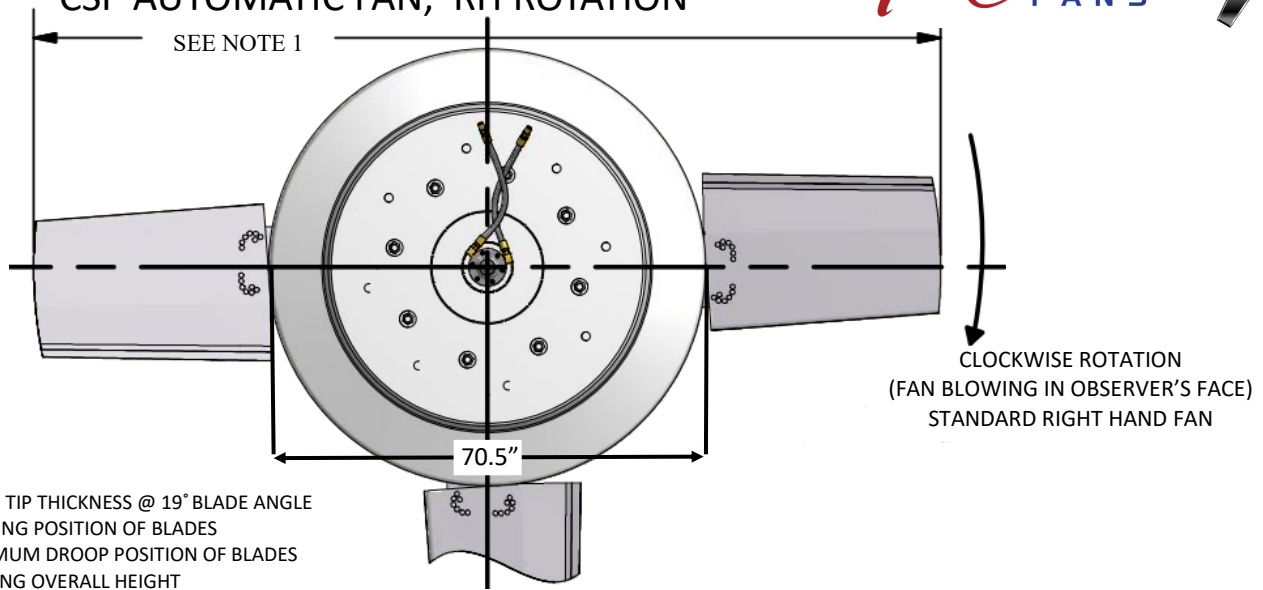
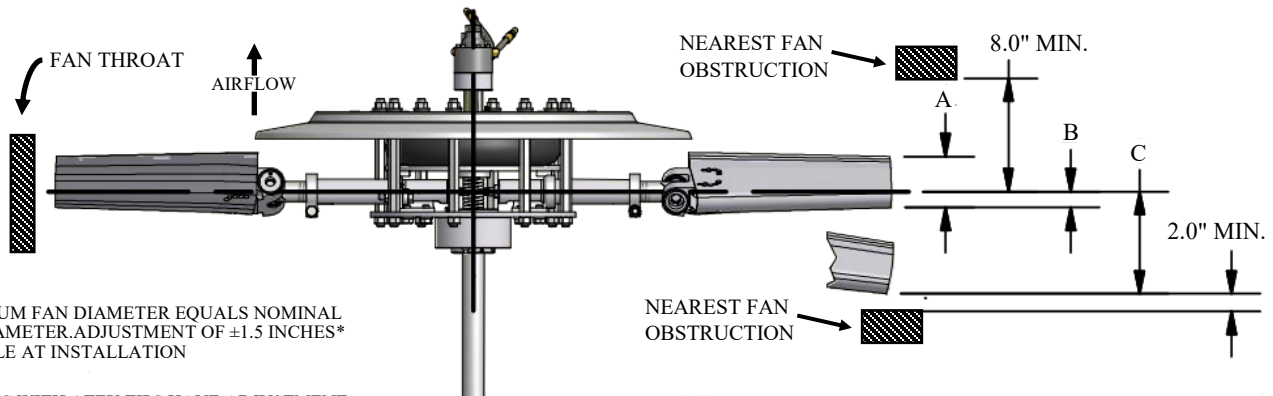


CLASS 10000 SERIES 72 SC

CSP AUTOMATIC FAN, RH ROTATION

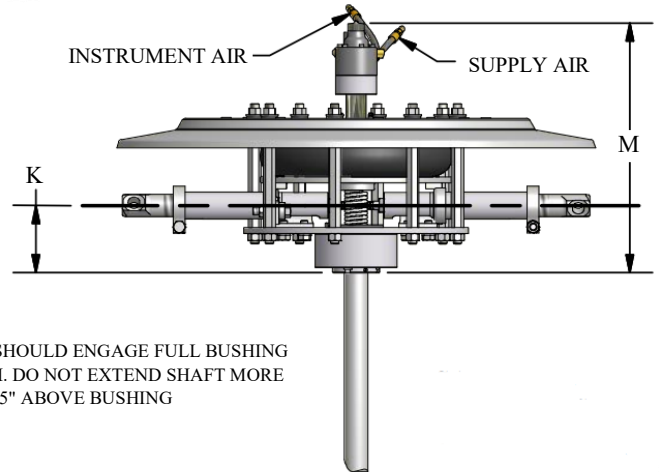
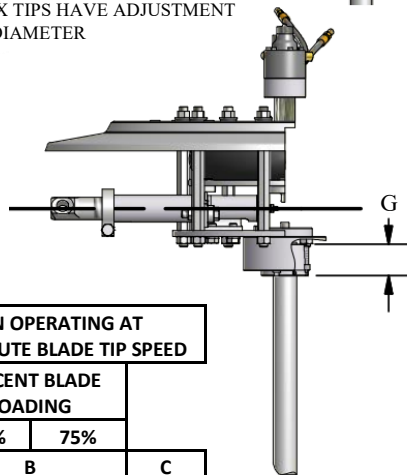


- A = BLADE TIP THICKNESS @ 19° BLADE ANGLE
- B = RUNNING POSITION OF BLADES
- C = MAXIMUM DROOP POSITION OF BLADES
- G = BUSHING OVERALL HEIGHT
- K = CENTERLINE OF FAN TO BASE OF BUSHING
- # = WITH S.A.E. STANDARD SQUARE KEYWAY
- * = WITH SHALLOW KEYWAY IN BUSHING
- o = MAX METRIC BORE WITH STANDARD KEYWAY



NOTE 1:
MAXIMUM FAN DIAMETER EQUALS NOMINAL FAN DIAMETER. ADJUSTMENT OF ±1.5 INCHES* POSSIBLE AT INSTALLATION

*BLADES WITH ATEX TIPS HAVE ADJUSTMENT OF -1.0" & +2.0" ON DIAMETER



SHAFT SHOULD ENGAGE FULL BUSHING LENGTH. DO NOT EXTEND SHAFT MORE THAN 0.5" ABOVE BUSHING

WITH FAN OPERATING AT 12000 FT/MINUTE BLADE TIP SPEED

DIA	PERCENT BLADE LOADING			C
	A	B	75%	
11'	2.2"	3.4"	2.8"	4.5"
12'	2.1"	4.3"	3.5"	5.8"
13'	1.9"	5.1"	4.1"	7.1"
14'	1.8"	6.0"	4.8"	8.5"
15'	1.7"	7.0"	5.6"	10.0"
16'	1.5"	8.1"	6.4"	11.6"

MAX BLADES	BUSHING TYPE	MAX # BORE	MAX * BORE	MAX o BORE	G	K	M
12	U	2.75"	2.938"	75	2.7"	5.8"	21.1"
12	W	3.750"	4.000"	100	2.8"	8.7"	24.1"
12	X	3.750"	4.000"	100	4.0"	8.7"	24.1"