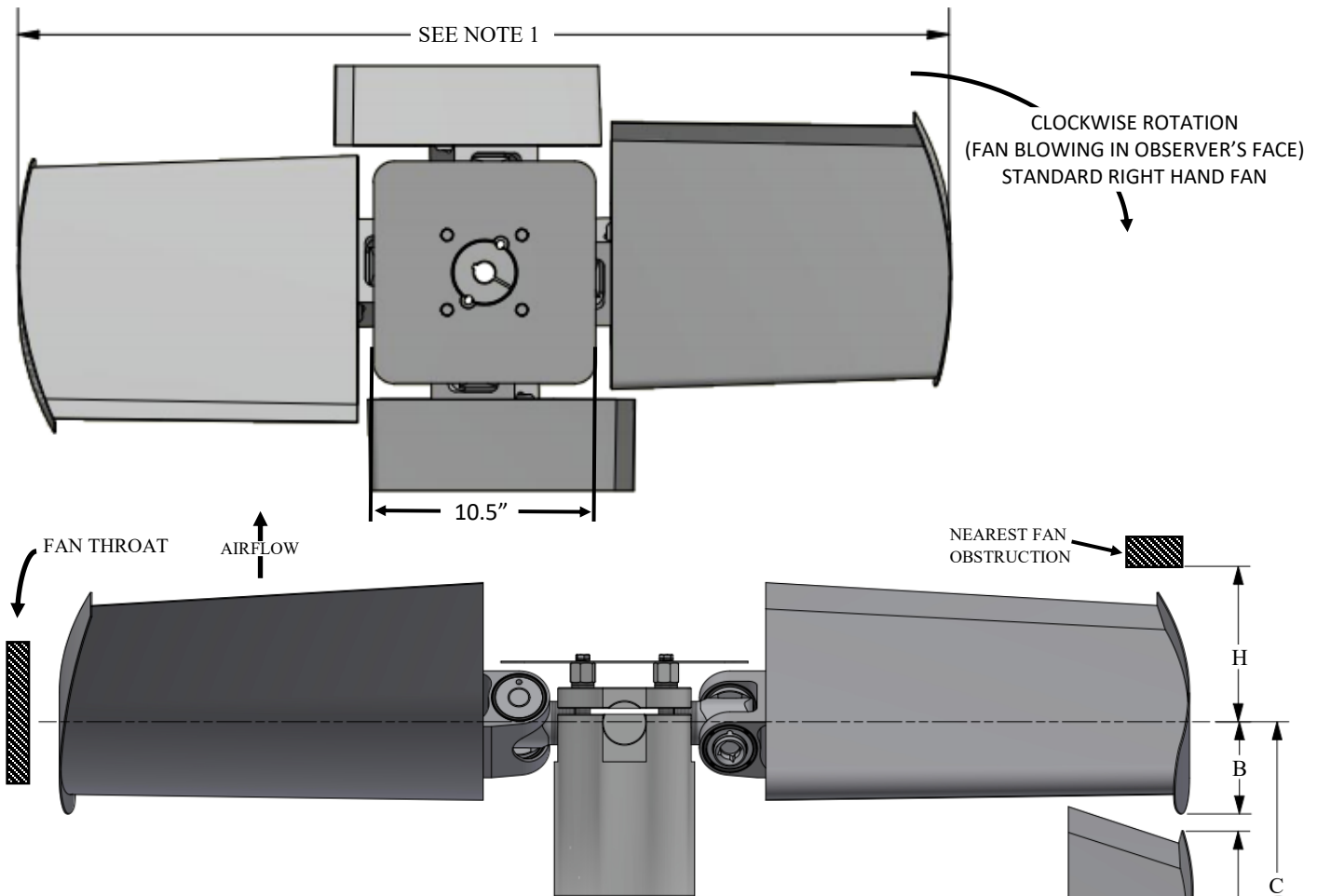


# CLASS 10000 HD SERIES 12 SC

## EXTENDED HUB, RH ROTATION

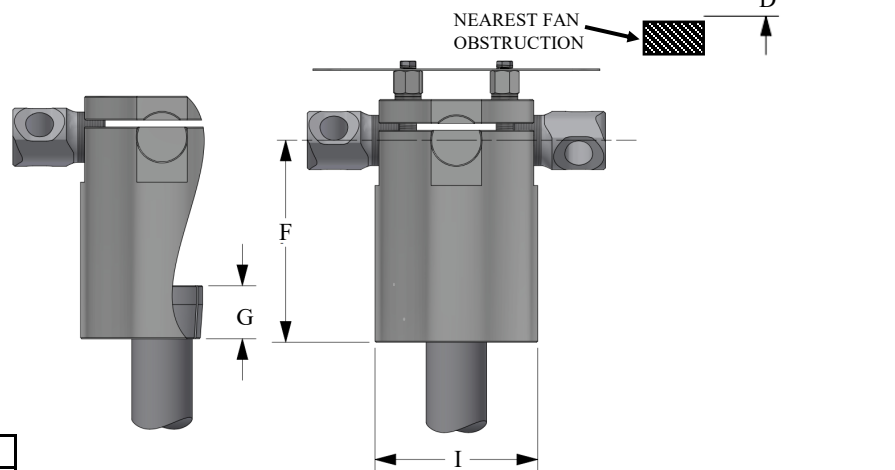
*Moore*  
FANS



NOTE 1:  
MAXIMUM FAN DIAMETER EQUALS NOMINAL FAN DIAMETER.  
ADJUSTMENT OF  $-0.25$  INCHES POSSIBLE AT INSTALLATION.

FANS WITH ATEX TIPS HAVE NO INWARD ADJUSTMENT.

- A = BLADE TIP THICKNESS @ 25° BLADE ANGLE
- B = RUNNING POSITION OF BLADES
- C = MAXIMUM DROOP POSITION OF BLADES
- D = MINIMUM OBSTACLE CLEARANCE AT INLET
- F = CENTERLINE OF FAN TO BASE OF BUSHING
- G = BUSHING OVERALL HEIGHT
- H = MINIMUM OBSTACLE CLEARANCE AT OUTLET
- I = NOMINAL MECHANICAL HUB DIAMETER
- L = MAXIMUM BUSHING TORQUE FT. LBS.
- # = WITH S.A.E. STANDARD SQUARE KEYWAY
- \* = WITH SHALLOW KEYWAY IN BUSHING
- ° = MAX METRIC BORE WITH STANDARD KEYWAY



WITH FAN OPERATING AT  
12000 FT/MINUTE BLADE TIP SPEED

PERCENT BLADE  
LOADING

100%	75%
------	-----

DIA	A	B		C	D	H
3'	8.6"	3.5"	3.5"	5.5"	2.0"	7.0"
4'	8.2"	3.9"	3.9"	5.9"	2.0"	7.0"
5'	7.8"	4.3"	4.3"	6.3"	2.0"	7.0"
6'	7.4"	4.8"	4.8"	6.8"	2.0"	7.0"

MAX BLADES	BUSHING TYPE	MAX # BORE	MAX * BORE	MAX ° BORE	I	F	G	L
5	T	2.000"	2.188"	55	6"	7.4"	1.9"	2000