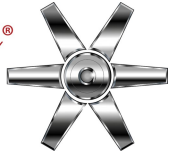


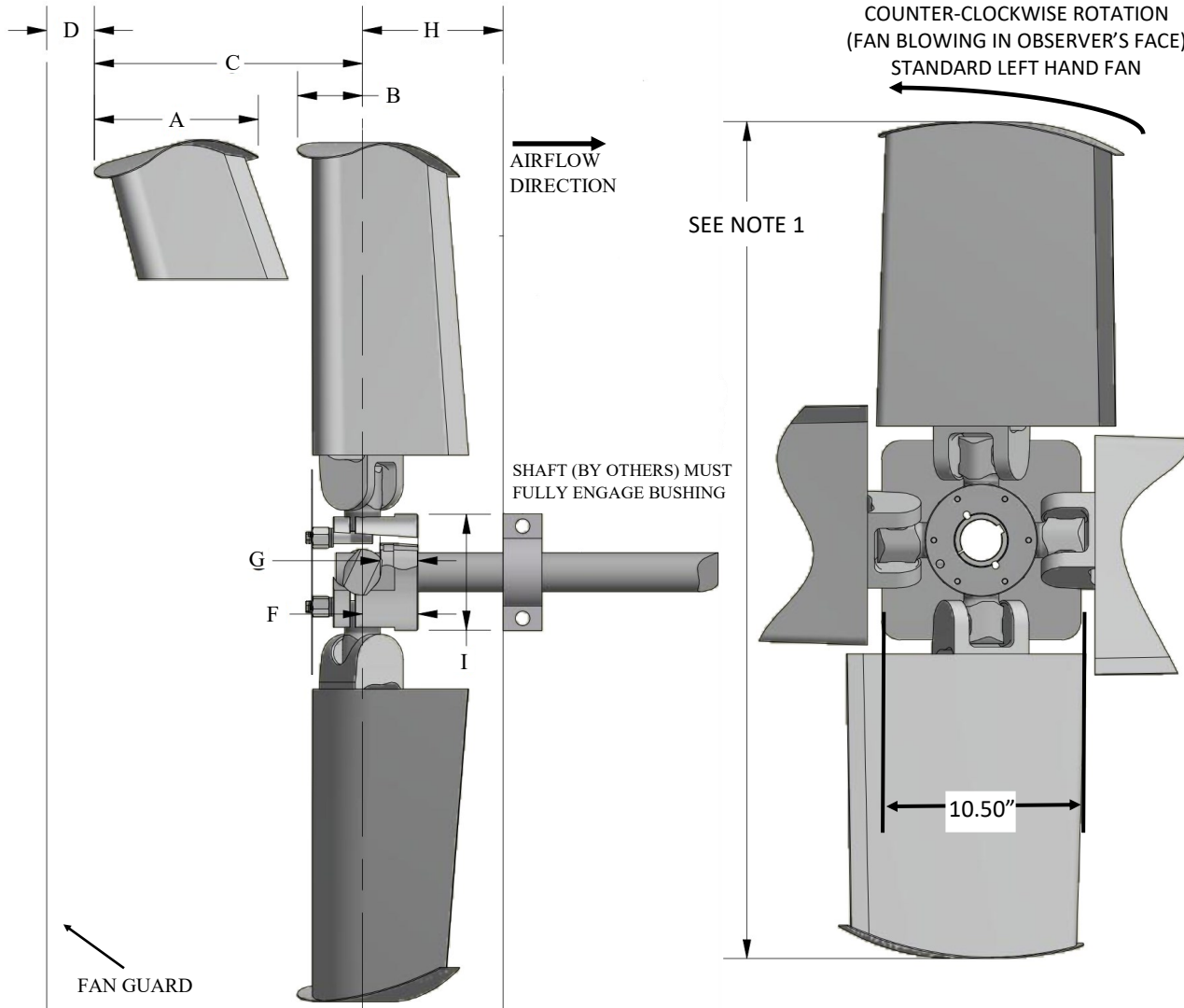
CLASS 10000 HD SERIES 12 SC

LH ROTATION

Moore
FANS



COUNTER-CLOCKWISE ROTATION
(FAN BLOWING IN OBSERVER'S FACE)
STANDARD LEFT HAND FAN



NOTE 1:
MAXIMUM FAN DIAMETER EQUALS NOMINAL FAN DIAMETER. SERIES 18 HAS ADJUSTMENT OF -1/4 INCHES* POSSIBLE AT INSTALLATION, NO OUTWARD ADJUSTMENT

*BLADES WITH ATEX TIPS HAVE NO INWARD ADJUSTMENT

- A = BLADE TIP THICKNESS @ 25° BLADE ANGLE
- B = RUNNING POSITION OF BLADES
- C = MAXIMUM DROOP POSITION OF BLADES
- D = MINIMUM OBSTACLE CLEARANCE AT INLET
- F = CENTERLINE OF FAN TO BASE OF BUSHING
- G = BUSHING OVERALL HEIGHT
- H = MINIMUM OBSTACLE CLEARANCE AT OUTLET
- I = NOMINAL MECHANICAL HUB DIAMETER
- L = MAXIMUM BUSHING TORQUE FT. LBS.
- # = WITH S.A.E. STANDARD SQUARE KEYWAY
- * = WITH SHALLOW KEYWAY IN BUSHING
- o = MAX METRIC BORE WITH STANDARD KEYWAY

BUSHING CAN BE INSTALLED ON INLET OR OUTLET SIDE OF FAN. AIR SEAL MUST BE OPPOSITE OF BUSHING

WITH FAN OPERATING AT
12000 FT/MINUTE BLADE TIP SPEED

| DIA | PERCENT BLADE LOADING | | | | C | D | H |
|-----|-----------------------|------|------|------|------|------|---|
| | 100% | | 75% | | | | |
| | A | B | B | B | | | |
| 3' | 8.6" | 3.5" | 3.5" | 5.5" | 2.0" | 7.0" | |
| 4' | 8.2" | 3.9" | 3.9" | 5.9" | 2.0" | 7.0" | |
| 5' | 7.8" | 4.3" | 4.3" | 6.3" | 2.0" | 7.0" | |
| 6' | 7.4" | 4.8" | 4.8" | 6.8" | 2.0" | 7.0" | |

| MAX BLADES | BUSHING TYPE | MAX # BORE | MAX * BORE | MAX o BORE | I | F | G | L |
|------------|--------------|------------|------------|------------|----|--------|------|------|
| 5 | T | 2.000" | 2.188" | 55 | 6" | 2.850" | 1.9" | 2000 |