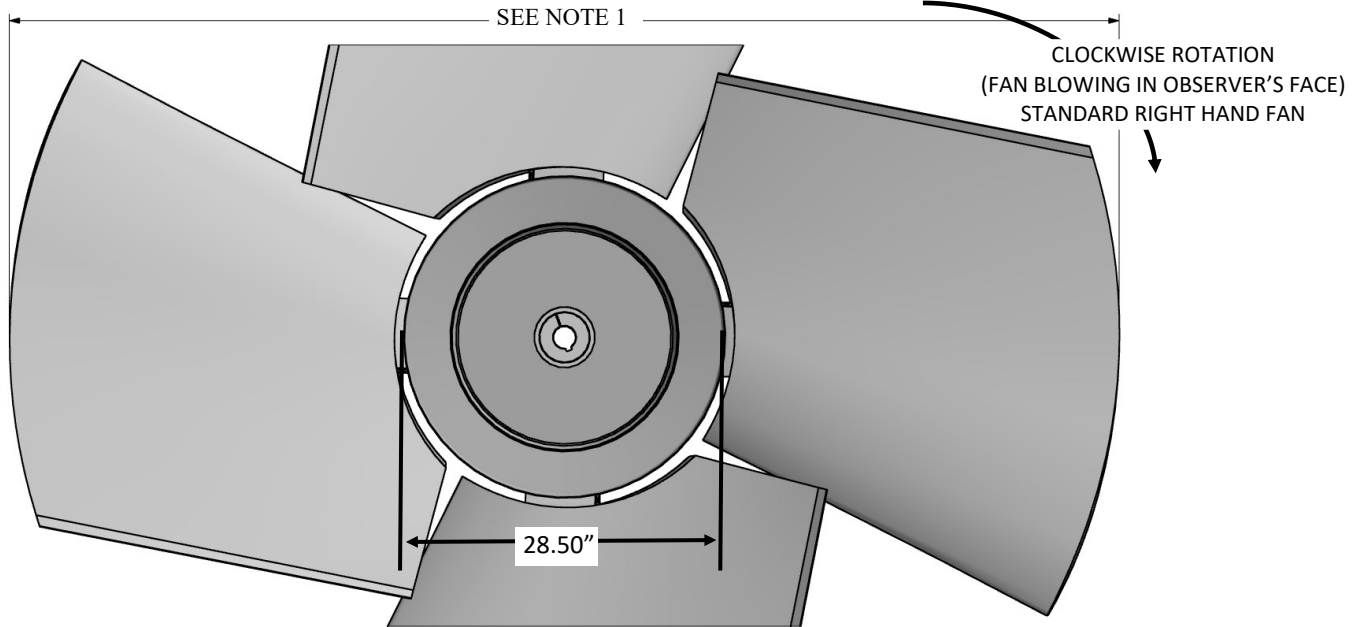


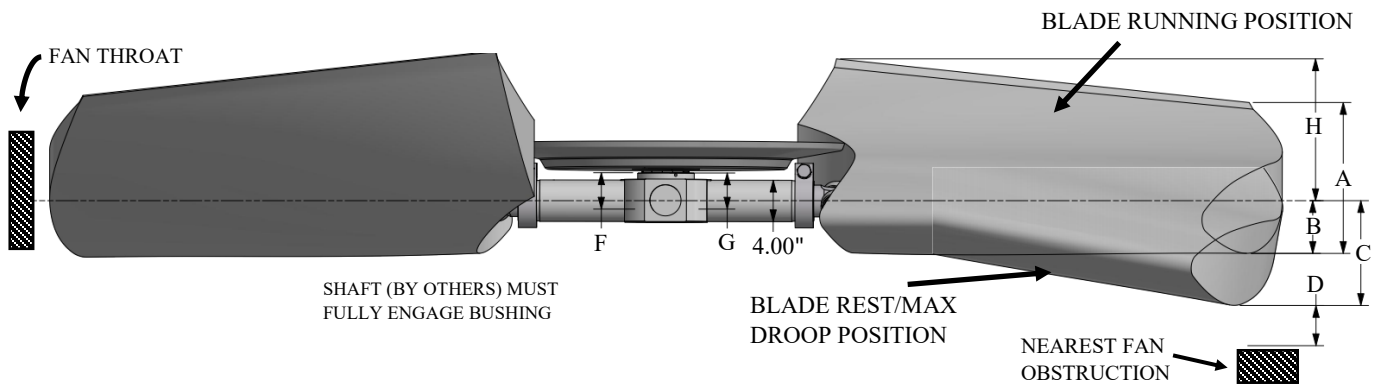
# CLASS 10000 MAG SERIES 30

## 9.5FT— 11.5FT RH ROTATION



NOTE 1:  
 MAXIMUM FAN DIAMETER EQUALS NOMINAL FAN DIAMETER.  
 ADJUSTMENT OF ±1.5 INCHES POSSIBLE AT INSTALLATION

- A = BLADE TIP PROFILE HEIGHT (PATH WIDTH)
- B = BLADE RUNNING DROOP (C/L TO BOTTOM OF BLADE)
- C = MAXIMUM DROOP POSITION OF BLADES AT 30° (C/L TO BOTTOM OF BLADE)
- D = MINIMUM OBSTACLE CLEARANCE AT INLET
- F = CENTERLINE OF FAN TO BASE OF BUSHING (STANDARD HUB WITHOUT EXTENSION)
- G = BUSHING OVERALL HEIGHT
- H = MAXIMUM HEIGHT OF BLADE AT 30° (C/L TO AIR OUTLET SIDE)
- L = MAX . BUSHING TORQUE FT. LBS.
- # = WITH S.A.E. STANDARD SQUARE KEYWAY
- \* = WITH SHALLOW KEYWAY IN BUSHING
- o = MAX METRIC BORE WITH STANDARD KEYWAY



WITH FAN OPERATING AT  
 12000 FT/MINUTE BLADE TIP SPEED

BUSHING AND/OR AIR SEAL  
 CAN BE INSTALLED ON INLET  
 OR OUTLET SIDE OF FAN

DIA	BLADE ANGLE			PERCENT BLADE LOADING		C	D	H
	10	20	30	100%	75%			
9.5'	14.2"	21.9"	29.7"	15.5"	15.0"	16.6"	6"	23.1"
10.5'	14.2"	21.9"	29.7"	16.5"	15.7"	18.0"	6"	23.1"
11.5'	14.2"	21.9"	29.7"	17.5"	16.5"	19.5"	6"	23.1"

MAX BLADES	BUSHING TYPE	MAX # BORE	MAX * BORE	MAX o BORE	F	G	L
5	W	3.75"	4.000"	100	2.725"	2.8"	7300