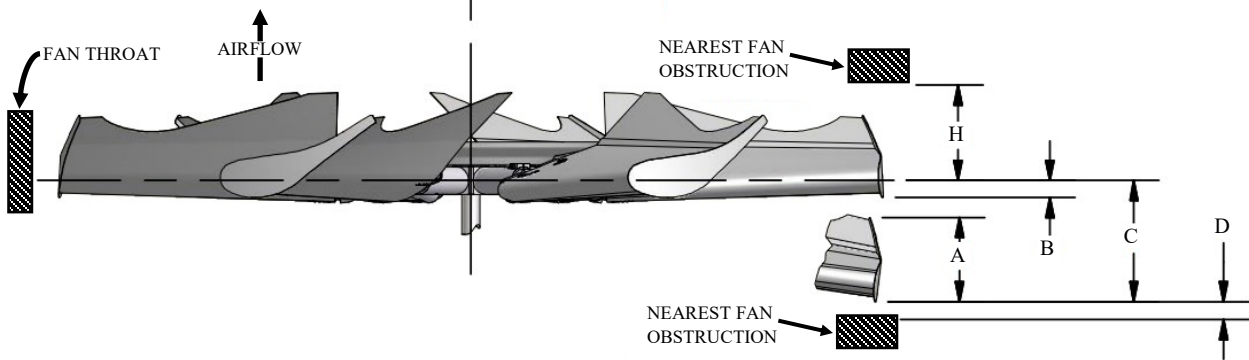
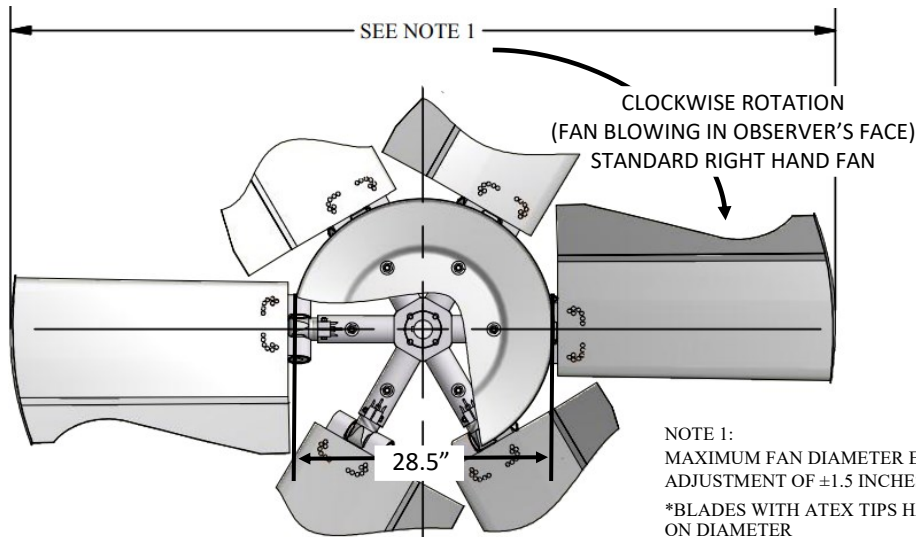


CLASS 10000 HD SERIES 30 EC

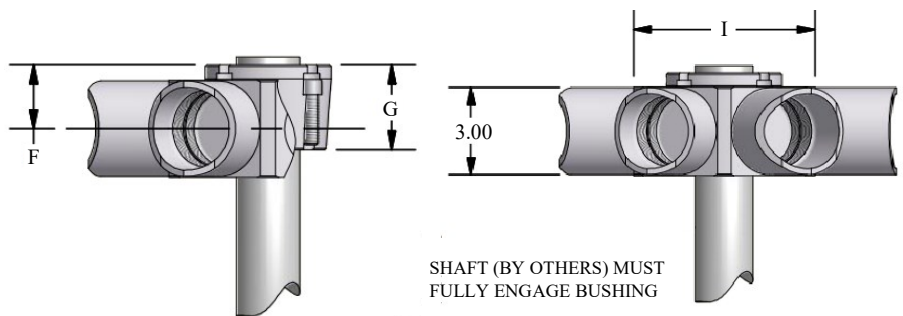
EXTENDED CHORD, RH ROTATION

Moore
FANS



- A = BLADE TIP THICKNESS @ 19° BLADE ANGLE
- B = RUNNING POSITION OF BLADES
- C = MAXIMUM DROOP POSITION OF BLADES
- D = MINIMUM OBSTACLE CLEARANCE AT INLET
- F = CENTERLINE OF FAN TO BASE OF BUSHING
- G = BUSHING OVERALL HEIGHT
- H = MINIMUM OBSTACLE CLEARANCE AT OUTLET
- I = NOMINAL MECHANICAL HUB DIAMETER
- L = MAXIMUM BUSHING TORQUE FT. LBS.
- # = WITH S.A.E. STANDARD SQUARE KEYWAY
- * = WITH SHALLOW KEYWAY IN BUSHING
- o = MAX METRIC BORE WITH STANDARD KEYWAY

BUSHING AND/OR AIR SEAL
CAN BE INSTALLED ON INLET
OR OUTLET SIDE OF FAN



WITH FAN OPERATING AT
12000 FT/MINUTE BLADE TIP SPEED

DIA	PERCENT BLADE LOADING		C	D	H	MAX BLADES	BUSHING TYPE	MAX # BORE	MAX * BORE	MAX o BORE	I	F	G	L	
	100%	75%													
5'	7.5"	4.3"	4.3"	4.6"	2.0"	14.0"	6	U	2.750"	2.938"	75	7"	2.0"	2.7"	4000
6'	7.5"	4.7"	4.5"	5.2"	2.0"	14.0"	8	U	2.750"	2.938"	75	9"	2.0"	2.7"	4000
7'	7.5"	5.2"	4.9"	6.0"	2.0"	14.0"	10	U	2.750"	2.938"	75	12"	2.0"	2.7"	4000
8'	7.5"	5.9"	5.4"	7.0"	2.0"	14.0"	8	W	3.750"	4.000"	100	9"	2.2"	2.8"	7300
9'	7.5"	6.7"	6.0"	8.3"	2.0"	14.0"	10	W	3.750"	4.000"	100	12"	2.2"	2.8"	7300