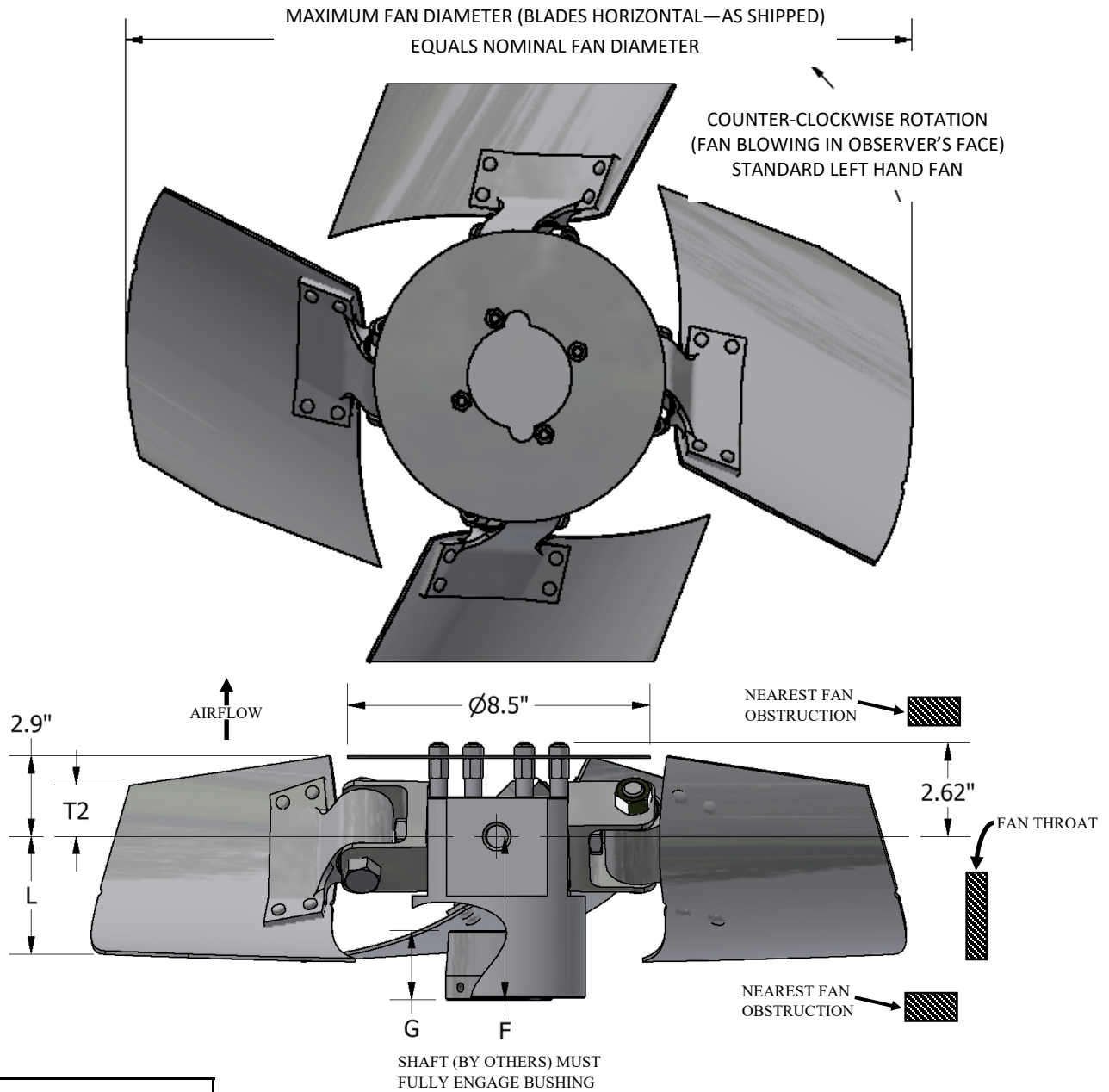


# CLASS 1000 SERIES 10

## EXTENDED HUB, LH ROTATION



WITH FAN OPERATING AT		
PERCENT BLADE LOADING		
	100%	

DIA	T2	L
24"	2.6"	3.0"
30"	1.9"	3.2"
32"	1.7"	3.2"
36"	1.4"	3.3"
42"	0.9"	3.4"
48"	0.1"	3.8"

NOTE:  
ALL MEASUREMENTS ASSUME HIGHEST BLADE LOADING AND ANGLE (50°)

T2 = FAN CENTERLINE TO TRAILING EDGE AT TIP  
 F = CENTERLINE OF FAN TO BASE OF BUSHING  
 G = BUSHING OVERALL HEIGHT  
 L = FAN CENTERLINE TO LEADING EDGE AT TIP  
 # = WITH S.A.E. STANDARD SQUARE KEYWAY  
 \* = WITH SHALLOW KEYWAY IN BUSHING

MAX BLADES	BUSHING TYPE	MAX #	MAX *	F	G
4	T	2.000"	2.188"	4.6"	1.9"