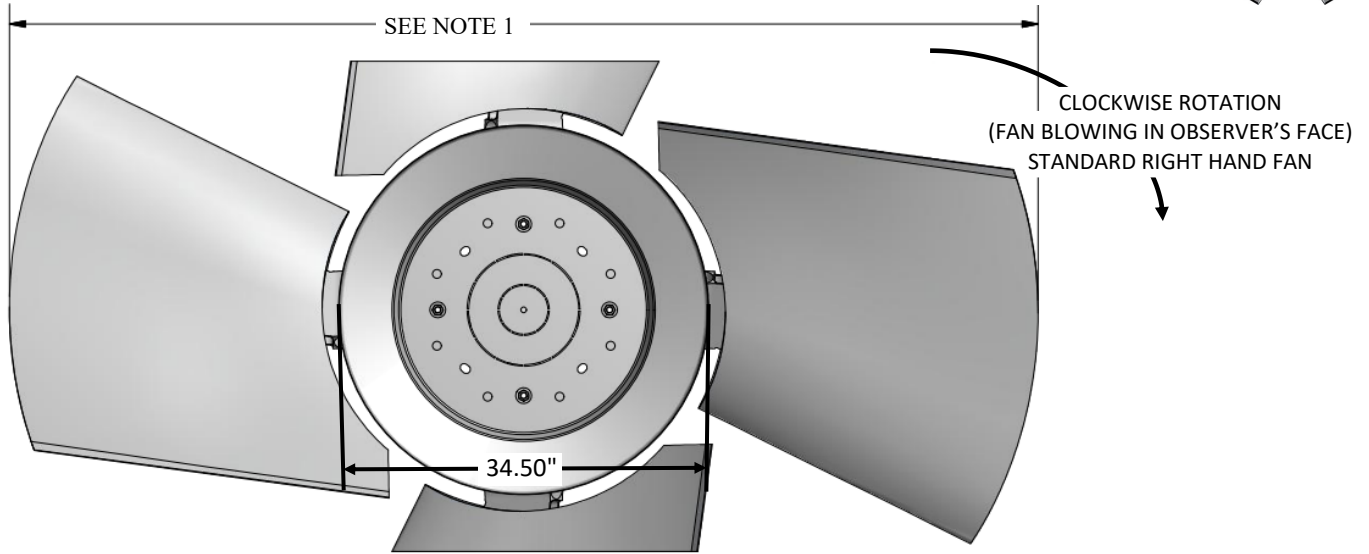
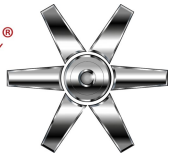


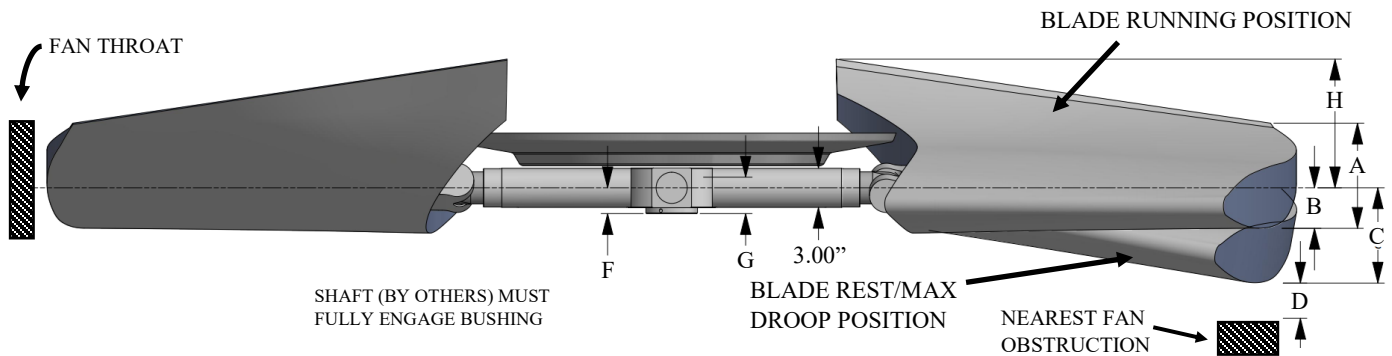
# CLASS 10000 MAG SERIES 36

## 8 FT, RH ROTATION



NOTE 1:  
 MAXIMUM FAN DIAMETER EQUALS NOMINAL FAN DIAMETER.  
 ADJUSTMENT OF ±1.5 INCHES POSSIBLE AT INSTALLATION

- A = BLADE TIP PROFILE HEIGHT (PATH WIDTH)
- B = BLADE RUNNING DROOP (C/L TO BOTTOM OF BLADE)
- C = MAXIMUM DROOP POSITION OF BLADES AT 30° (C/L TO BOTTOM OF BLADE)
- D = MINIMUM OBSTACLE CLEARANCE AT INLET
- F = CENTERLINE OF FAN TO BASE OF BUSHING (STANDARD HUB WITHOUT EXTENTION)
- G = BUSHING OVERALL HEIGHT
- H = MAXIMUM HEIGHT OF BLADE AT 30° (C/L TO AIR OUTLET SIDE)
- L = MAX . BUSHING TORQUE FT. LBS.
- # = WITH S.A.E. STANDARD SQUARE KEYWAY
- \* = WITH SHALLOW KEYWAY IN BUSHING
- o = MAX METRIC BORE WITH STANDARD KEYWAY



BUSHING AND/OR AIR SEAL  
 CAN BE INSTALLED ON INLET  
 OR OUTLET SIDE OF FAN

| WITH FAN OPERATING AT<br>12000 FT/MINUTE BLADE TIP SPEED |      |       |                          |       |       |       |    |       |   | MAX<br>BLADES | BUSHING<br>TYPE | MAX<br>#<br>BORE | MAX<br>*<br>BORE | MAX<br>o<br>BORE | F  | G      | L    |      |
|--|------|-------|--------------------------|-------|-------|-------|----|-------|---|---------------|-----------------|------------------|------------------|------------------|----|--------|------|------|
| BLADE ANGLE  |      |       | PERCENT BLADE<br>LOADING |       | C     | D     | H  | A     | B |               |                 |                  |                  |                  |    |        |      |      |
| DIA  | 10°  | 20°   | 30°                      | 100%  |       |       |    |       |   | 75%           |                 |                  |                  |                  |    |        |      |      |
| 8.0'   | 9.0" | 14.0" | 19.3"                    | 13.9" | 13.4" | 15.9" | 6" | 15.4" |   |               | 5               | U                | 2.75"            | 2.938"           | 75 | 2.525" | 2.7" | 4000 |