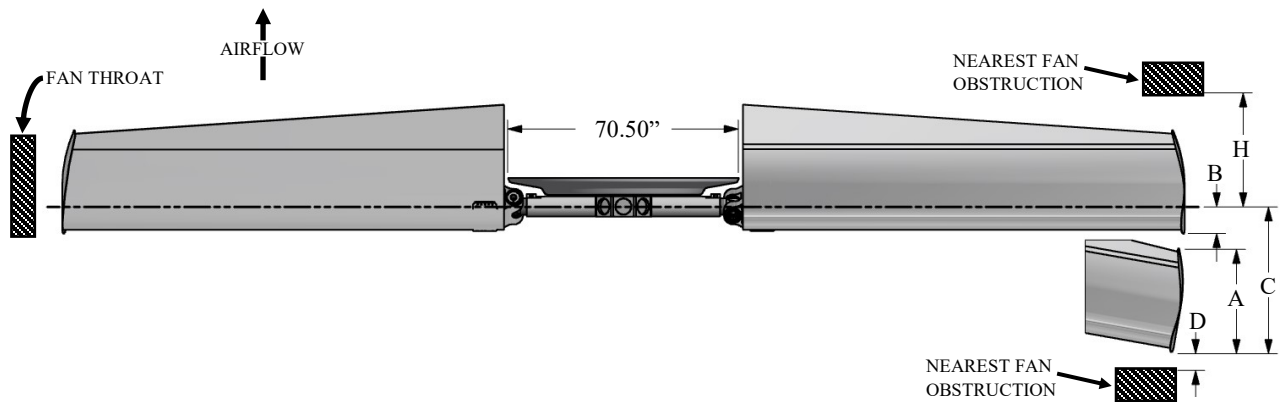
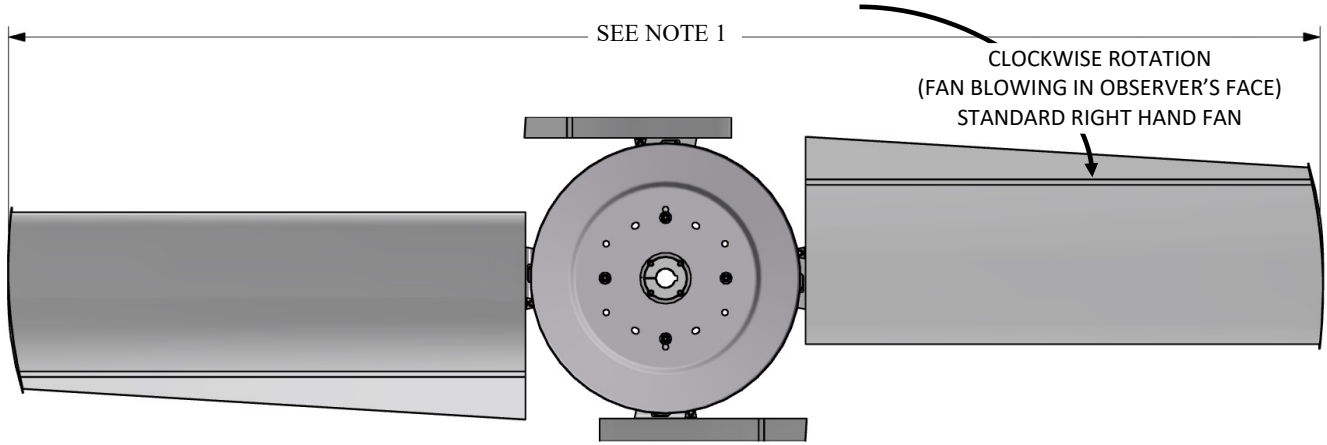


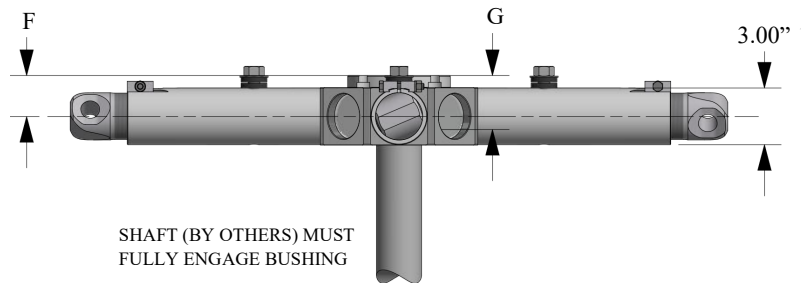
# CLASS 10000 HD SERIES 72 XC

## RH ROTATION



- A = BLADE TIP THICKNESS @ 19° BLADE ANGLE
- B = RUNNING POSITION OF BLADES
- C = MAXIMUM DROOP POSITION OF BLADES
- D = MINIMUM OBSTACLE CLEARANCE AT INLET
- F = CENTERLINE OF FAN TO BASE OF BUSHING
- G = BUSHING OVERALL HEIGHT
- H = MINIMUM OBSTACLE CLEARANCE AT OUTLET
- I = NOMINAL MECHANICAL HUB DIAMETER
- L = MAXIMUM BUSHING TORQUE FT. LBS.
- # = WITH S.A.E. STANDARD SQUARE KEYWAY
- \* = WITH SHALLOW KEYWAY IN BUSHING
- o = MAX METRIC BORE WITH STANDARD KEYWAY

BUSHING AND/OR AIR SEAL  
CAN BE INSTALLED ON INLET  
OR OUTLET SIDE OF FAN



SHAFT (BY OTHERS) MUST  
FULLY ENGAGE BUSHING

WITH FAN OPERATING AT 10,000 FT/

PERCENT BLADE  
LOADING

100%    75%

DIA	A	B		C	D	H
		100%	75%			
12'	14.2"	11.1"	10.4"	12.6"	4.0"	16"
13'	13.5"	11.9"	10.9"	13.9"	4.0"	16"
14'	12.9"	12.8"	11.5"	15.4"	4.0"	16"
15'	12.2"	13.9"	12.3"	17.1"	4.0"	16"
16'	11.5"	15.1"	13.1"	19.0"	4.0"	16"
17'	10.8"	16.4"	14.1"	21.1"	4.0"	16"

NOTE 1:  
MAXIMUM FAN DIAMETER EQUALS NOMINAL FAN DIAMETER.  
ADJUSTMENT OF ±1.5 INCHES\* POSSIBLE AT INSTALLATION  
\*BLADES WITH ATEX TIPS HAVE ADJUSTMENT OF -1.0" & +2.0"  
ON DIAMETER

MAX BLADES	BUSHING TYPE	MAX # BORE	MAX * BORE	MAX o BORE	F	G	L
12	U	2.750"	2.938"	75	2.0"	2.7"	4000
12	W	3.750"	4.000"	100	2.2"	2.8"	7300