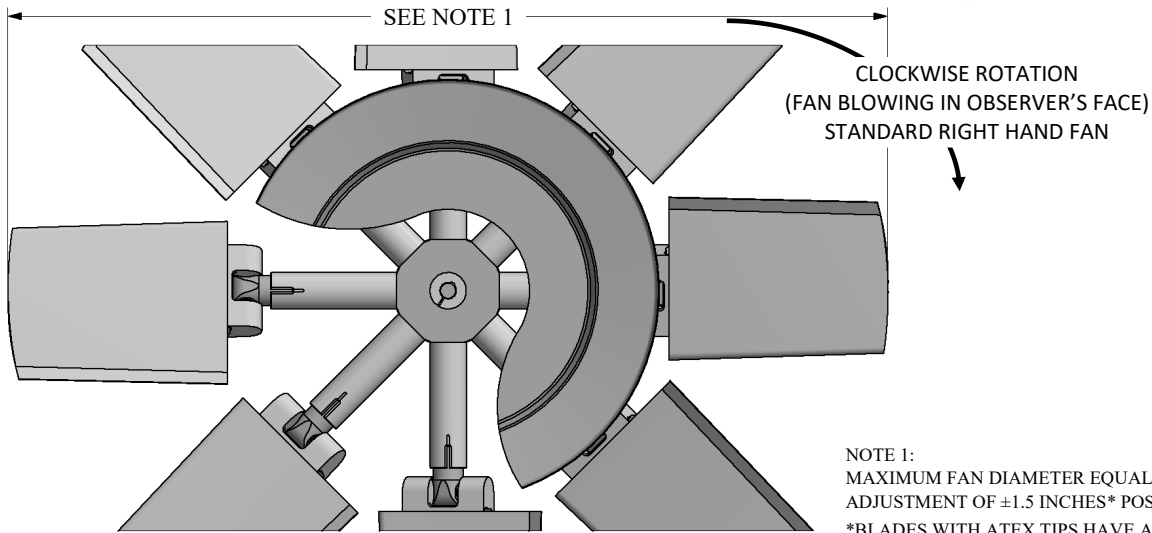
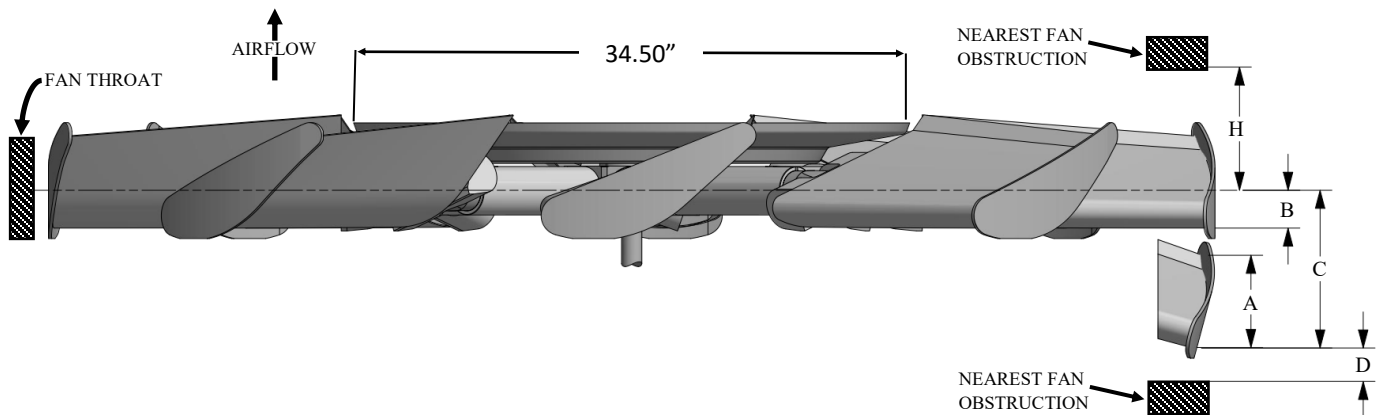


CLASS 10000 SD SERIES 36 SC

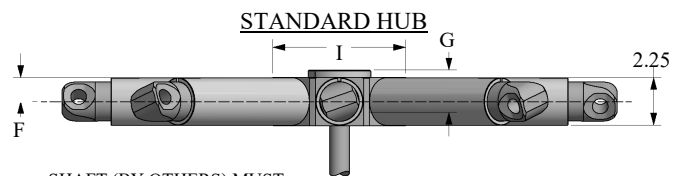
RH ROTATION



NOTE 1:
 MAXIMUM FAN DIAMETER EQUALS NOMINAL FAN DIAMETER.
 ADJUSTMENT OF ±1.5 INCHES* POSSIBLE AT INSTALLATION
 *BLADES WITH ATEX TIPS HAVE ADJUSTMENT OF -1.0" & +2.0" ON DIAMETER



- A = BLADE TIP THICKNESS @ 19° BLADE ANGLE
- B = RUNNING POSITION OF BLADES
- C = MAXIMUM DROOP POSITION OF BLADES
- D = MINIMUM OBSTACLE CLEARANCE AT INLET
- F = CENTERLINE OF FAN TO BASE OF BUSHING
- G = BUSHING OVERALL HEIGHT
- H = MINIMUM OBSTACLE CLEARANCE AT OUTLET
- I = NOMINAL MECHANICAL HUB DIAMETER
- # = WITH S.A.E. STANDARD SQUARE KEYWAY
- *= WITH SHALLOW KEYWAY IN BUSHING



SHAFT (BY OTHERS) MUST FULLY ENGAGE BUSHING

WITH FAN OPERATING AT 12000 FT/MINUTE BLADE TIP SPEED

DIA	A	PERCENT BLADE LOADING		C	D	H
		100%	75%			
		B				
6'	4.6"	1.5"	1.3"	3.5"	2.0"	8.0"

MAX BLADES	BUSHING TYPE	MAX # BORE	MAX * BORE	I	F	G
8	U	2.750"	2.938"	7"	1.6"	2.7"
8	W	3.750"	4.000"	9"	1.8"	2.8"