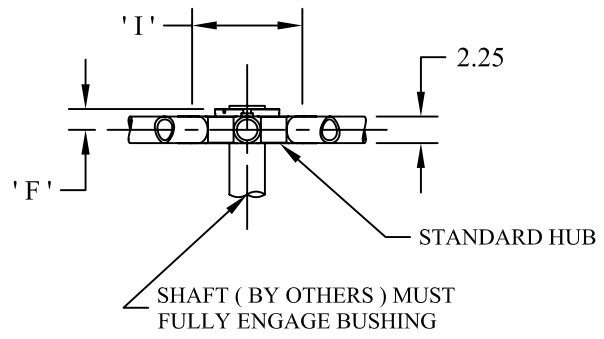
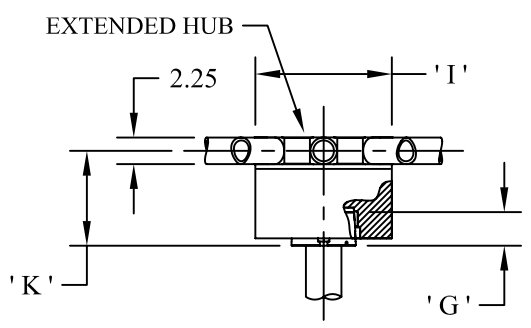
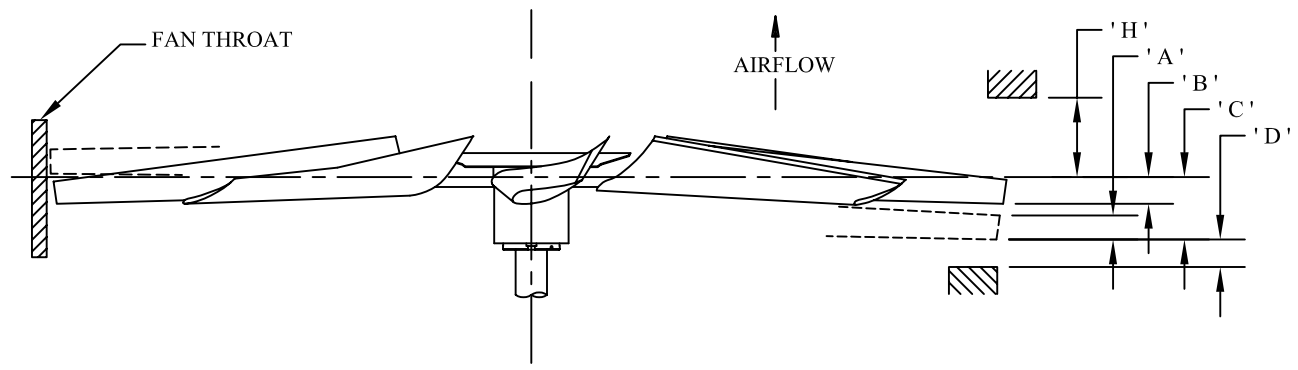


NOTE 1: MAXIMUM FAN DIAMETER (BLADES HORIZONTAL - AS SHIPPED) EQUALS NOMINAL FAN DIAMETER. ADJUSTMENT OF ± 1.5 INCHES POSSIBLE AT INSTALLATION



- A = BLADE TIP THICKNESS @ 19° BLADE ANGLE
- B = RUNNING POSITION OF BLADES
- C = MAXIMUM DROOP POSITION OF BLADES
- D = MINIMUM OBSTACLE CLEARANCE AT INLET
- F = CENTERLINE OF FAN TO BASE OF BUSHING (STANDARD HUB)
- G = BUSHING OVERALL HEIGHT (STANDARD & EXTENDED HUBS)
- H = MINIMUM OBSTACLE CLEARANCE AT OUTLET
- I = NOMINAL MECHANICAL HUB DIAMETER
- K = CENTERLINE OF FAN TO BASE OF BUSHING (EXTENDED HUB)
- # = WITH S.A.E. STANDARD SQUARE KEYWAY
- * = WITH SHALLOW KEYWAY IN BUSHING

WITH FAN OPERATING AT 12000 FT : MINUTE BLADE TIP SPEED PERCENT BLADE LOADING

DIA	100%			75%		
	A	B	C	D	H	
5'	4.8"	1.4"	1.0"	3.4"	2.0"	7.0"
6'	4.4"	1.7"	1.2"	3.7"	2.0"	7.0"
7'	4.0"	2.0"	1.5"	4.0"	2.0"	7.0"
8'	3.6"	2.4"	1.8"	4.4"	2.0"	7.0"
9'	3.2"	2.8"	2.1"	4.8"	2.0"	7.0"
10'	2.8"	3.2"	2.4"	5.2"	2.0"	7.0"

MAX BLADES	BUSHING TYPE	MAX # BORE	MAX * BORE				
				I	F	G	K
7	T	2.000	2.188	6"	1.3"	1.9"	8" OR 12"
7	U	2.750	2.938	7"	1.6"	2.7"	8" OR 12"
7	W	3.750	4.000	9"	1.8"	2.8"	8" OR 12"

SERIES 30 SD FAN RIGHT HAND ROTATION

