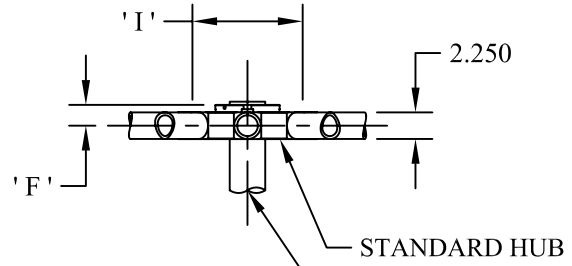
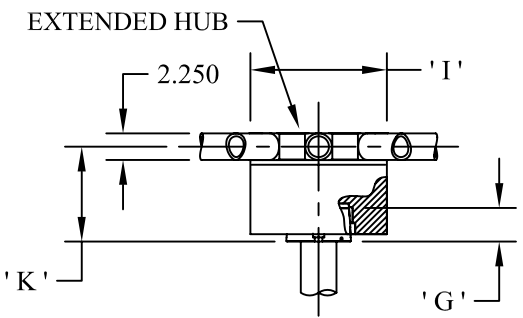
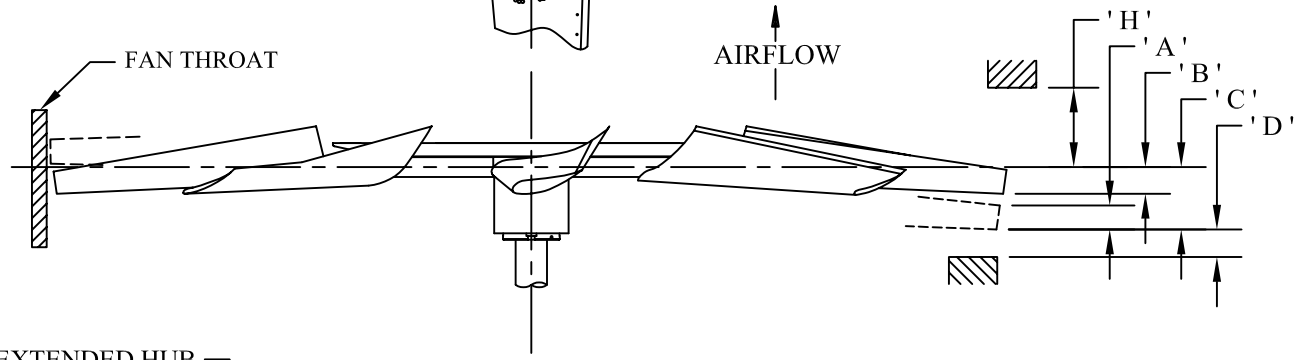


NOTE 1: MAXIMUM FAN DIAMETER (BLADES HORIZONTAL - AS SHIPPED) EQUALS NOMINAL FAN DIAMETER. ADJUSTMENT OF ± 1.5 INCHES POSSIBLE AT INSTALLATION



SHAFT (BY OTHERS) MUST FULLY ENGAGE BUSHING

- A = BLADE TIP THICKNESS @ 19° BLADE ANGLE
- B = RUNNING POSITION OF BLADES
- C = MAXIMUM DROOP POSITION OF BLADES
- D = MINIMUM OBSTACLE CLEARANCE AT INLET
- F = CENTERLINE OF FAN TO BASE OF BUSHING (STANDARD HUB)
- G = BUSHING OVERALL HEIGHT (STANDARD & EXTENDED HUBS)
- H = MINIMUM OBSTACLE CLEARANCE AT OUTLET
- I = NOMINAL MECHANICAL HUB DIAMETER
- K = CENTERLINE OF FAN TO BASE OF BUSHING (EXTENDED HUB)
- # = WITH S.A.E. STANDARD SQUARE KEYWAY
- * = WITH SHALLOW KEYWAY IN BUSHING

WITH FAN OPERATING AT 12000 FT : MINUTE BLADE TIP SPEED PERCENT BLADE LOADING

DIA	100%		75%		C	D	H
	A	B	B	C			
10'	1.9"	3.0"	2.5"	4.0"	2.0"	8.0"	
11'	1.7"	3.7"	3.0"	5.0"	2.0"	8.0"	
12'	1.6"	4.4"	3.6"	6.2"	2.0"	8.0"	
13'	1.5"	5.3"	4.2"	7.5"	2.0"	8.0"	
14'	1.4"	6.2"	4.9"	8.8"	2.0"	8.0"	
15'	1.2"	7.2"	5.6"	10.3"	2.0"	8.0"	
16'	1.1"	8.3"	6.4"	12.0"	2.0"	8.0"	

MAX BLADES	BUSHING TYPE	MAX # BORE	MAX * BORE	I	F	G	K
				7"	1.6"	2.7"	8" OR 12"
8	U	2.750	2.938	7"	1.6"	2.7"	8" OR 12"
12	U	2.750	2.938	9"	1.6"	2.7"	8" OR 12"
12	W	3.750	4.000	9"	1.8"	2.8"	8" OR 12"

SERIES 60 SD FAN RIGHT HAND ROTATION

