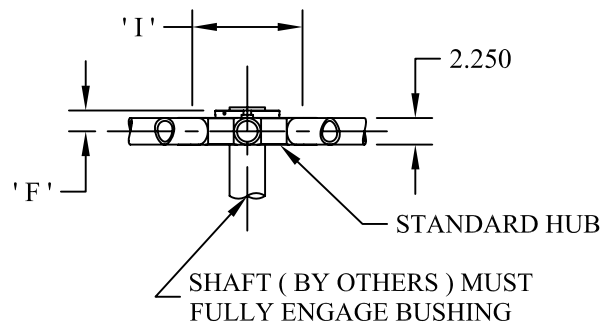
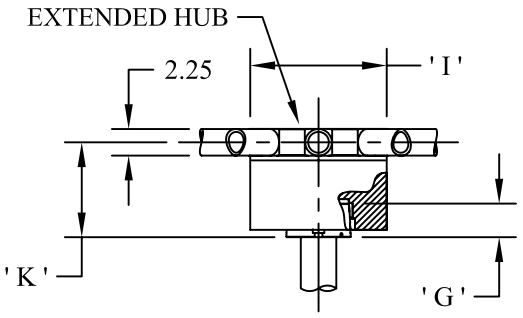
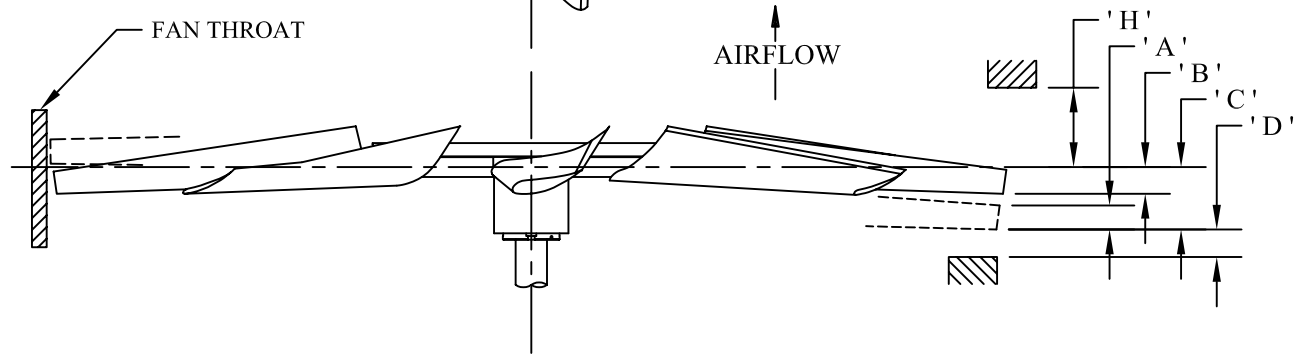


SEE NOTE 1

CLOCKWISE ROTATION
FAN BLOWING IN OBSERVER'S FACE
STANDARD RIGHT HAND FAN

NOTE 1: MAXIMUM FAN DIAMETER (BLADES HORIZONTAL - AS SHIPPED) EQUALS NOMINAL FAN DIAMETER. ADJUSTMENT OF ± 1.5 INCHES POSSIBLE AT INSTALLATION



WITH FAN OPERATING
AT 12000 FT : MINUTE
BLADE TIP SPEED
PERCENT BLADE
LOADING

DIA	A	B		C	D	H
		100%	75%			
8'	2.1"	2.3"	2.0"	2.8"	2.0"	8.0"
9'	1.9"	2.7"	2.3"	3.6"	2.0"	8.0"
10'	1.7"	3.3"	2.7"	4.4"	2.0"	8.0"
11'	1.6"	3.9"	3.1"	5.3"	2.0"	8.0"
12'	1.5"	4.5"	3.6"	6.4"	2.0"	8.0"
13'	1.3"	5.3"	4.2"	7.5"	2.0"	8.0"
14'	1.2"	6.1"	4.8"	8.7"	2.0"	8.0"
15'	1.1"	7.0"	5.5"	10.0"	2.0"	8.0"
16'	1.0"	8.0"	6.2"	11.5"	2.0"	8.0"

- A = BLADE TIP THICKNESS @ 19° BLADE ANGLE
- B = RUNNING POSITION OF BLADES
- C = MAXIMUM DROOP POSITION OF BLADES
- D = MINIMUM OBSTACLE CLEARANCE AT INLET
- F = CENTERLINE OF FAN TO BASE OF BUSHING (STANDARD HUB)
- G = BUSHING OVERALL HEIGHT (STANDARD & EXTENDED HUBS)
- H = MINIMUM OBSTACLE CLEARANCE AT OUTLET
- I = NOMINAL MECHANICAL HUB DIAMETER
- K = CENTERLINE OF FAN TO BASE OF BUSHING (EXTENDED HUB)
- # = WITH S.A.E. STANDARD SQUARE KEYWAY
- * = WITH SHALLOW KEYWAY IN BUSHING

MAX BLADES	BUSHING TYPE	MAX # BORE	MAX * BORE	I	F	G	K
				8	U	2.750	2.938
10	U	2.750	2.938	9"	1.6"	2.7"	8" OR 12"
10	W	3.750	4.000	9"	1.8"	2.8"	8" OR 12"

SERIES 48 SD FAN RIGHT HAND ROTATION

