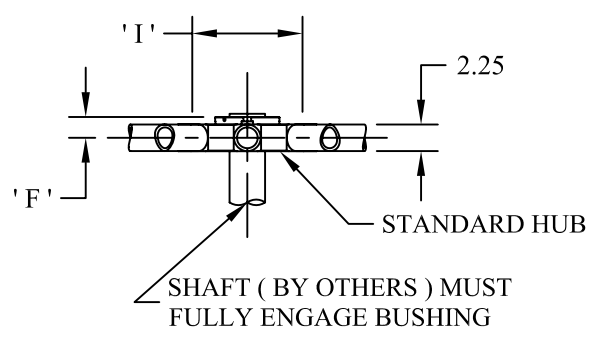
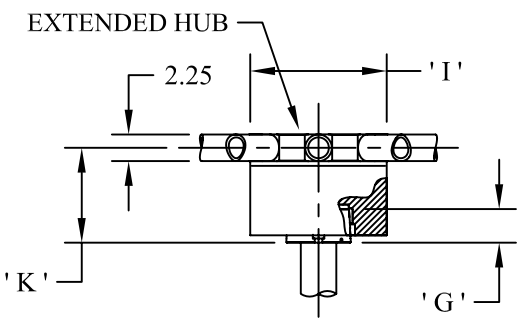
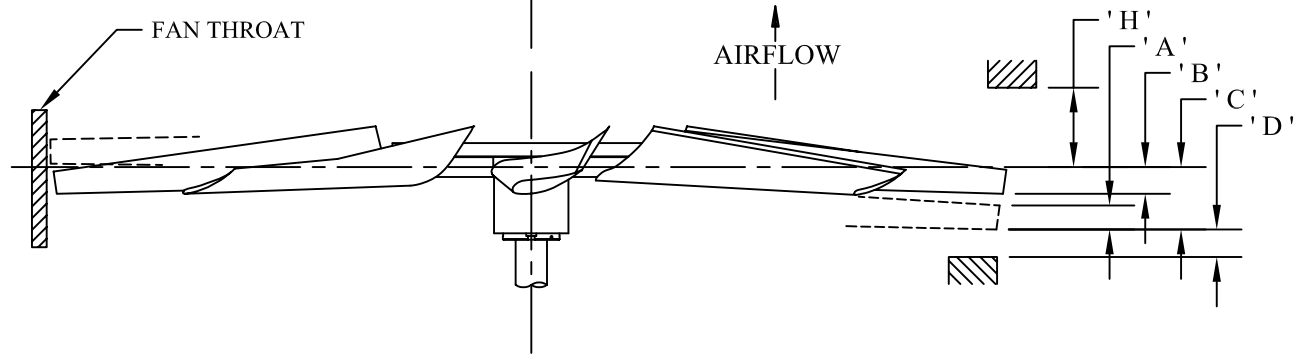


NOTE 1: MAXIMUM FAN DIAMETER (BLADES HORIZONTAL - AS SHIPPED) EQUALS NOMINAL FAN DIAMETER. ADJUSTMENT OF ± 1.5 INCHES POSSIBLE AT INSTALLATION



WITH FAN OPERATING AT 12000 FT : MINUTE BLADE TIP SPEED PERCENT BLADE LOADING

DIA	100%		75%		D	H
	A	B	C	B		
7'	4.4"	1.7"	1.5"	3.7"	2.0"	8.0"
8'	4.0"	2.2"	1.8"	4.2"	2.0"	8.0"
9'	3.6"	2.7"	2.2"	4.7"	2.0"	8.0"
10'	3.2"	3.3"	2.6"	5.3"	2.0"	8.0"
11'	2.8"	4.0"	3.1"	6.0"	2.0"	8.0"
12'	2.4"	4.8"	3.7"	6.8"	2.0"	8.0"
13'	2.0"	5.7"	4.3"	7.7"	2.0"	8.0"
14'	1.7"	6.7"	5.1"	8.7"	2.0"	8.0"

A = BLADE TIP THICKNESS @ 19° BLADE ANGLE
 B = RUNNING POSITION OF BLADES
 C = MAXIMUM DROOP POSITION OF BLADES
 D = MINIMUM OBSTACLE CLEARANCE AT INLET
 F = CENTERLINE OF FAN TO BASE OF BUSHING (STANDARD HUB)
 G = BUSHING OVERALL HEIGHT (STANDARD & EXTENDED HUBS)
 H = MINIMUM OBSTACLE CLEARANCE AT OUTLET
 I = NOMINAL MECHANICAL HUB DIAMETER
 K = CENTERLINE OF FAN TO BASE OF BUSHING (EXTENDED HUB)
 # = WITH S.A.E. STANDARD SQUARE KEYWAY
 * = WITH SHALLOW KEYWAY IN BUSHING

MAX BLADES	BUSHING TYPE	MAX # BORE	MAX * BORE	I	F	G	K
				8	U	2.750	2.938
8	W	3.750	4.000	9"	1.8"	2.8"	8" OR 12"

SERIES 42 SD FAN RIGHT HAND ROTATION

