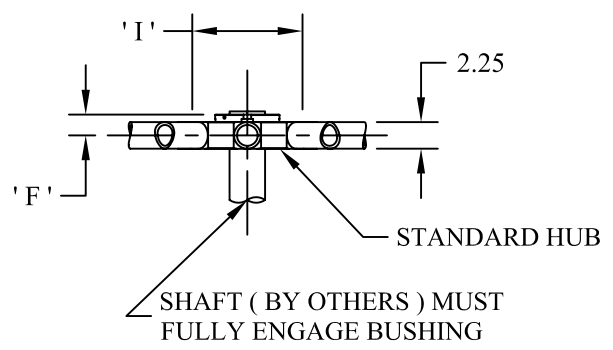
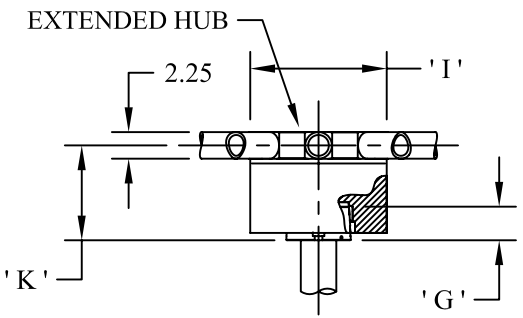
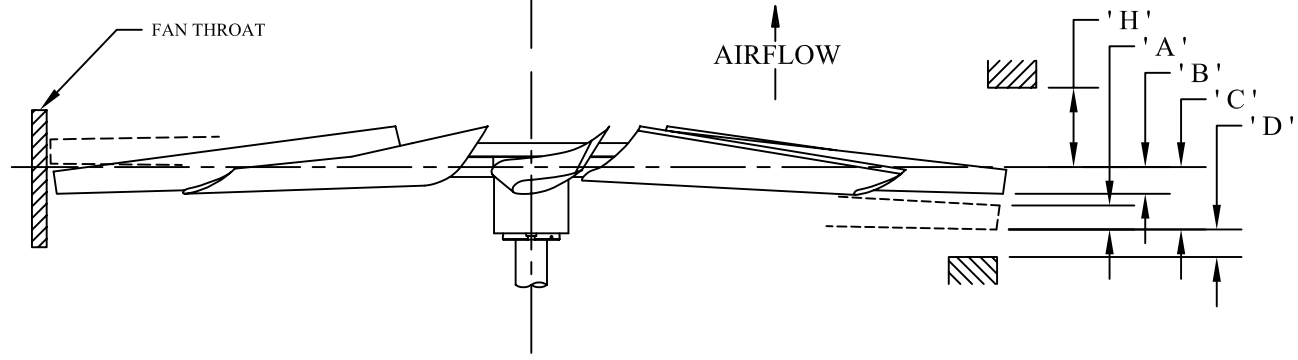


NOTE 1: MAXIMUM FAN DIAMETER (BLADES HORIZONTAL - AS SHIPPED) EQUALS NOMINAL FAN DIAMETER. ADJUSTMENT OF ± 1.5 INCHES POSSIBLE AT INSTALLATION



- A = BLADE TIP THICKNESS @ 19° BLADE ANGLE
- B = RUNNING POSITION OF BLADES
- C = MAXIMUM DROOP POSITION OF BLADES
- D = MINIMUM OBSTACLE CLEARANCE AT INLET
- F = CENTERLINE OF FAN TO BASE OF BUSHING ( STANDARD HUB )
- G = BUSHING OVERALL HEIGHT ( STANDARD & EXTENDED HUBS )
- H = MINIMUM OBSTACLE CLEARANCE AT OUTLET
- I = NOMINAL MECHANICAL HUB DIAMETER
- K = CENTERLINE OF FAN TO BASE OF BUSHING ( EXTENDED HUB )
- # = WITH S.A.E. STANDARD SQUARE KEYWAY
- \* = WITH SHALLOW KEYWAY IN BUSHING

WITH FAN OPERATING AT 12000 FT : MINUTE BLADE TIP SPEED PERCENT BLADE LOADING

DIA	100%		75%		C	D	H
	A	B	B	C			
6'	4.6"	1.5"	1.3"	3.5"	2.0"	8.0"	
7'	4.2"	1.8"	1.5"	3.8"	2.0"	8.0"	
8'	3.8"	2.1"	1.8"	4.1"	2.0"	8.0"	
9'	3.4"	2.6"	2.1"	4.6"	2.0"	8.0"	
10'	3.0"	3.1"	2.4"	5.1"	2.0"	8.0"	
11'	2.6"	3.8"	3.1"	5.8"	2.0"	8.0"	
12'	2.2"	4.6"	3.6"	6.6"	2.0"	8.0"	

MAX BLADES	BUSHING TYPE	MAX # BORE	MAX * BORE	I	F	G	K
				7"	1.6"	2.7"	8" OR 12"
8	U	2.750	2.938	9"	1.8"	2.8"	8" OR 12"
8	W	3.750	4.000	9"	1.8"	2.8"	8" OR 12"

## SERIES 36 SD FAN RIGHT HAND ROTATION

