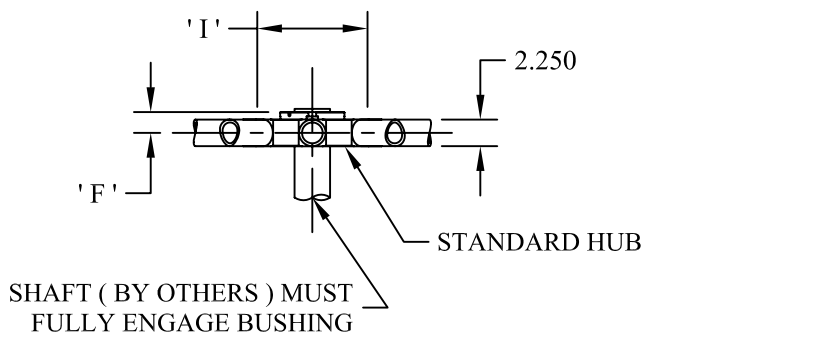
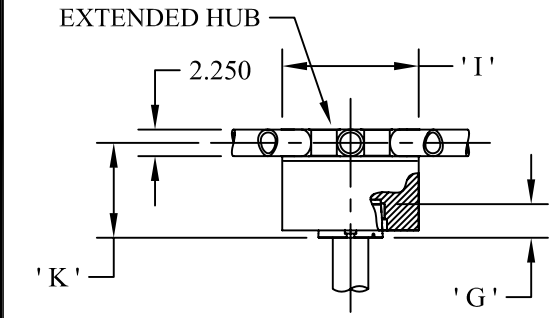
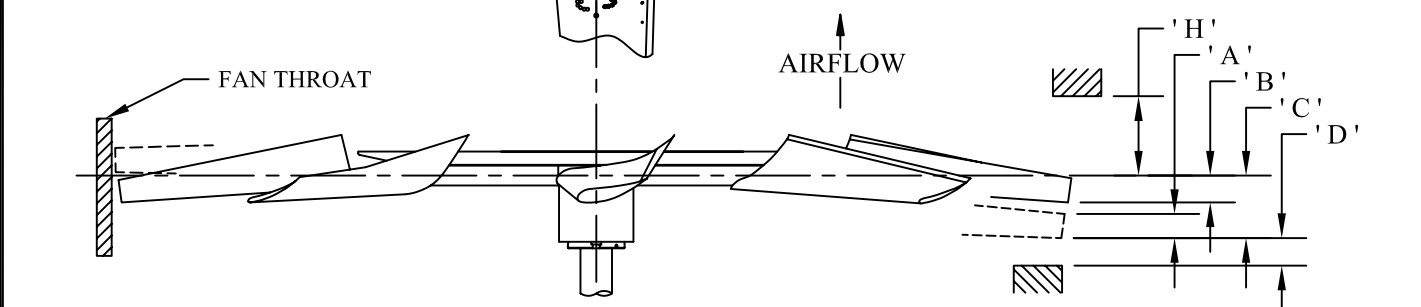


NOTE 1: MAXIMUM FAN DIAMETER (BLADES HORIZONTAL - AS SHIPPED) EQUALS NOMINAL FAN DIAMETER. ADJUSTMENT OF ± 1.5 INCHES POSSIBLE AT INSTALLATION



SHAFT ( BY OTHERS ) MUST FULLY ENGAGE BUSHING

- A = BLADE TIP THICKNESS @ 19° BLADE ANGLE
- B = RUNNING POSITION OF BLADES
- C = MAXIMUM DROOP POSITION OF BLADES
- D = MINIMUM OBSTACLE CLEARANCE AT INLET
- F = CENTERLINE OF FAN TO BASE OF BUSHING ( STANDARD HUB )
- G = BUSHING OVERALL HEIGHT ( STANDARD & EXTENDED HUBS )
- H = MINIMUM OBSTACLE CLEARANCE AT OUTLET
- I = NOMINAL MECHANICAL HUB DIAMETER
- K = CENTERLINE OF FAN TO BASE OF BUSHING ( EXTENDED HUB )
- # = WITH S.A.E. STANDARD SQUARE KEYWAY
- \* = WITH SHALLOW KEYWAY IN BUSHING

WITH FAN OPERATING  
AT 12000 FT : MINUTE  
BLADE TIP SPEED  
PERCENT BLADE  
LOADING

DIA	100%		75%		C	D	H	MAX BLADES	BUSHING TYPE	MAX # BORE	MAX * BORE	I	F	G	K
	A	B	B	C											
11'	2.2"	3.4"	2.8"	4.5"	2.0"	8.0"	8	U	2.750	2.938	7"	1.6"	2.7"	8" OR 12"	
12'	2.1"	4.3"	3.5"	5.8"	2.0"	8.0"	12	U	2.750	2.938	9"	1.6"	2.7"	8" OR 12"	
13'	1.9"	5.1"	4.1"	7.1"	2.0"	8.0"	12	W	3.750	4.000	9"	1.8"	2.8"	8" OR 12"	
14'	1.8"	6.0"	4.8"	8.5"	2.0"	8.0"	16	U	2.750	2.938	12"	1.6"	2.7"	8" OR 12"	
15'	1.7"	7.0"	5.6"	10.0"	2.0"	8.0"	16	W	3.750	4.000	12"	1.8"	2.8"	8" OR 12"	
16'	1.5"	8.1"	6.4"	11.6"	2.0"	8.0"	16	W	3.750	4.000	12"	1.8"	2.8"	8" OR 12"	

## SERIES 72 SD FAN RIGHT HAND ROTATION

